

COLONIAL SANDSTONE PRODUCTS PTY LTD

incorporating Formstone

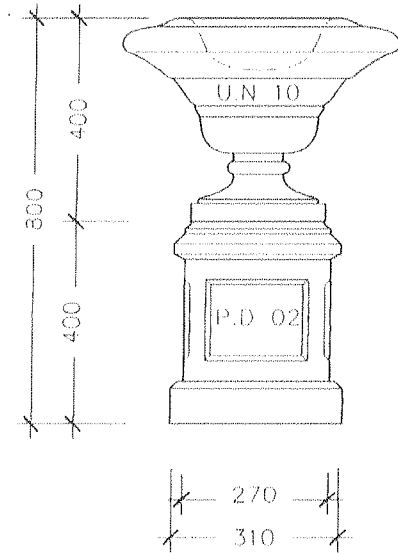
ABN 52 065 746 090

25 PARAMOUNT DRIVE WANGARA WA 6065

TEL: 9302 1972 FAX: 9302 2161

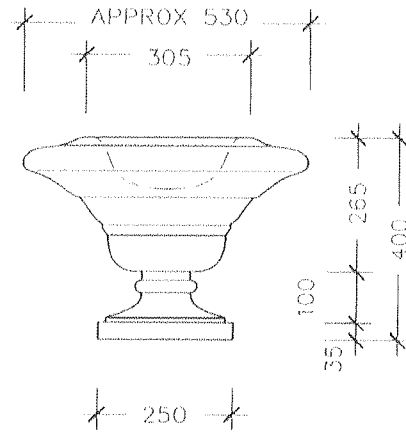
WEB: www.colonialsandstone.com.au

URNS

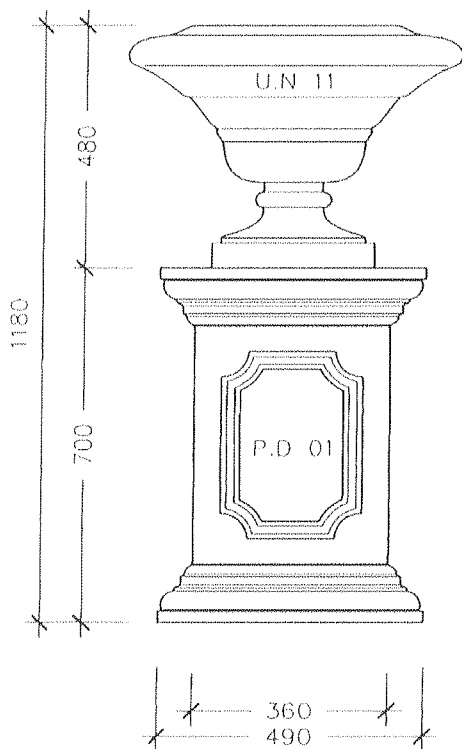


URN WITH STAND
(U.N 10 & P.D 02)

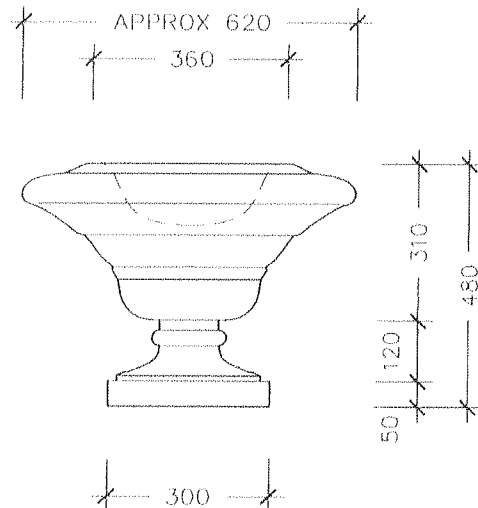
SCALE: 1:15



U.N 10



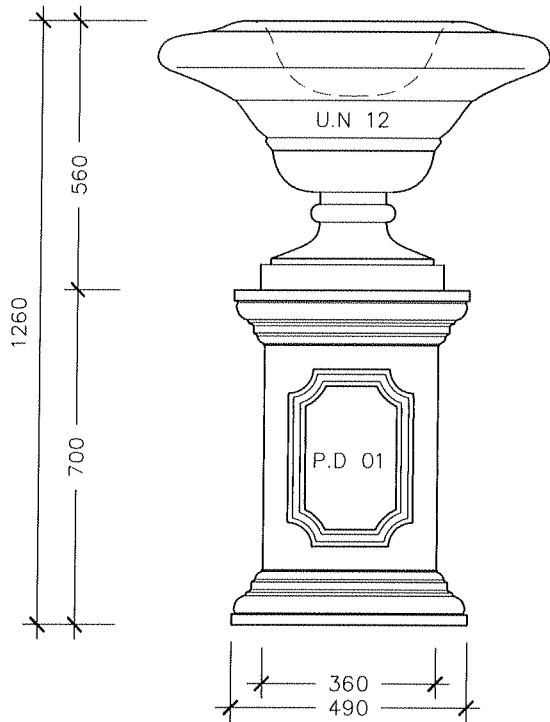
URN WITH STAND
(U.N 11 & P.D 01)



U.N 11

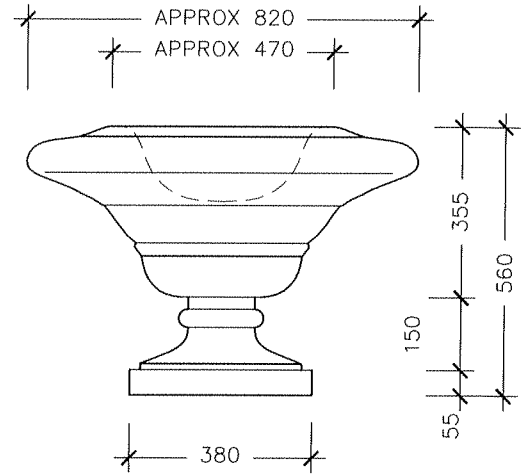
COLONIAL SANDSTONE PRODUCTS PTY LTD

URNS (U.N)

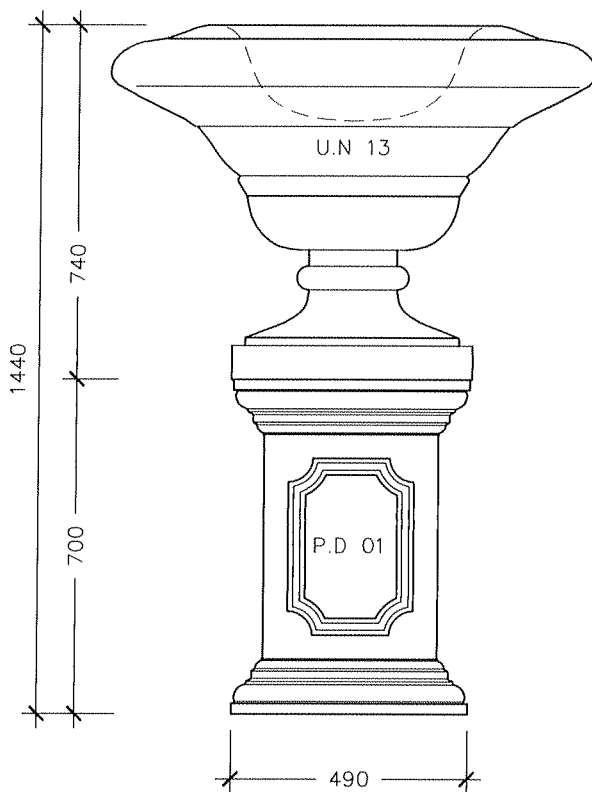


URN WITH STAND
(U.N 12 & P.D 01)

SCALE: 1:15

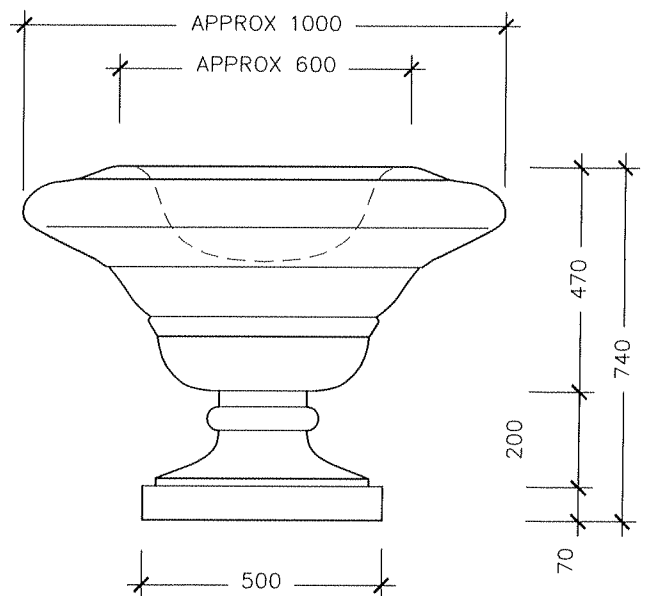


U.N 12



URN WITH STAND
(U.N 13 & P.D 01)

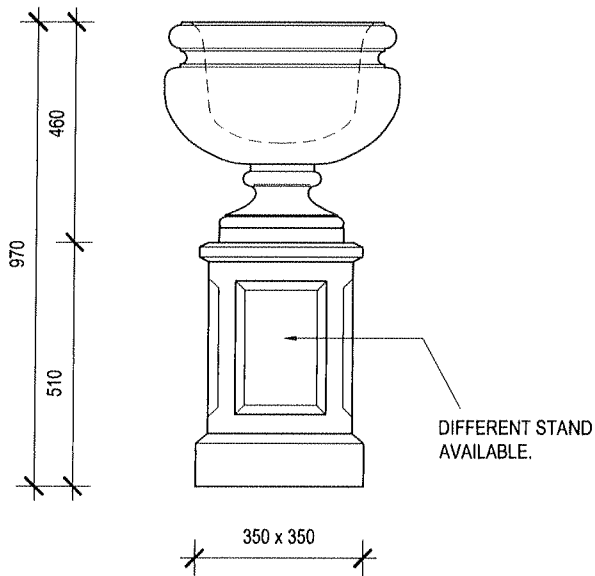
SCALE: 1:15



U.N 13

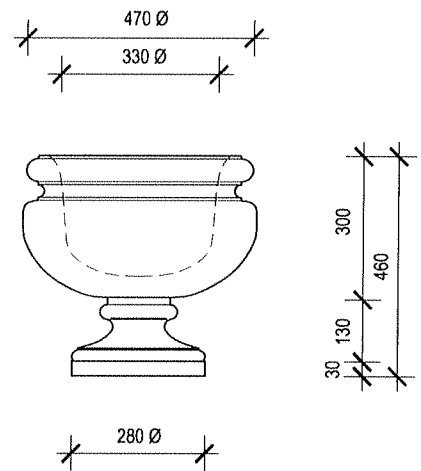
COLONIAL SANDSTONE PRODUCTS PTY LTD

VASES/URNS AND PEDESTAL STAND (CONT.)



U.N14 WITH STAND

SCALE: 1:15

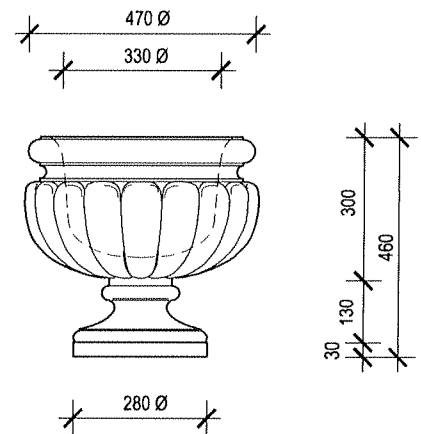


URN: U.N14



URN: U.N 14A

SCALE: NIL

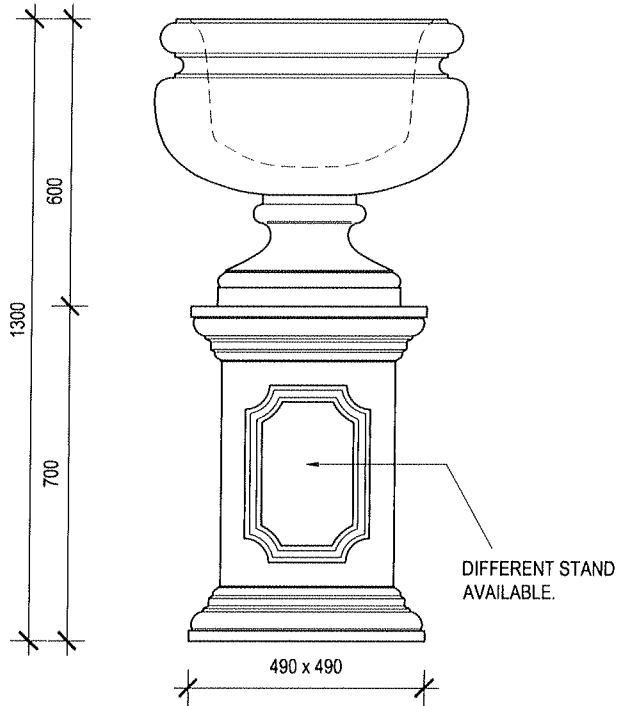


URN: U.N14A

U.N 14A HAS FLUTING PATTERN.

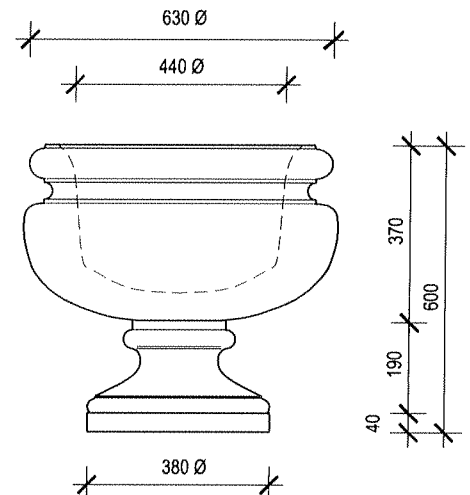
COLONIAL SANDSTONE PRODUCTS PTY LTD

VASES/URNS AND PEDESTAL STAND (CONT.)



U.N15 WITH STAND

SCALE: 1:15

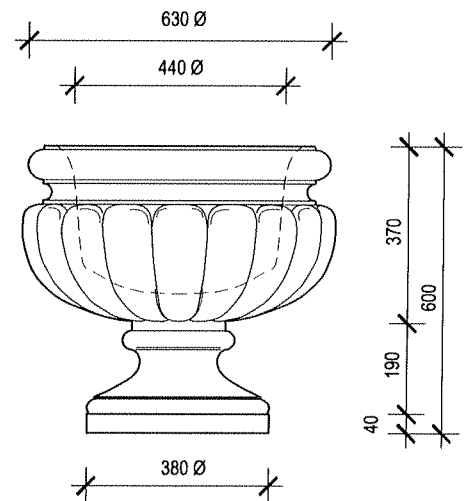


URN: U.N15



U.N 15A WITH STAND

SCALE: NIL

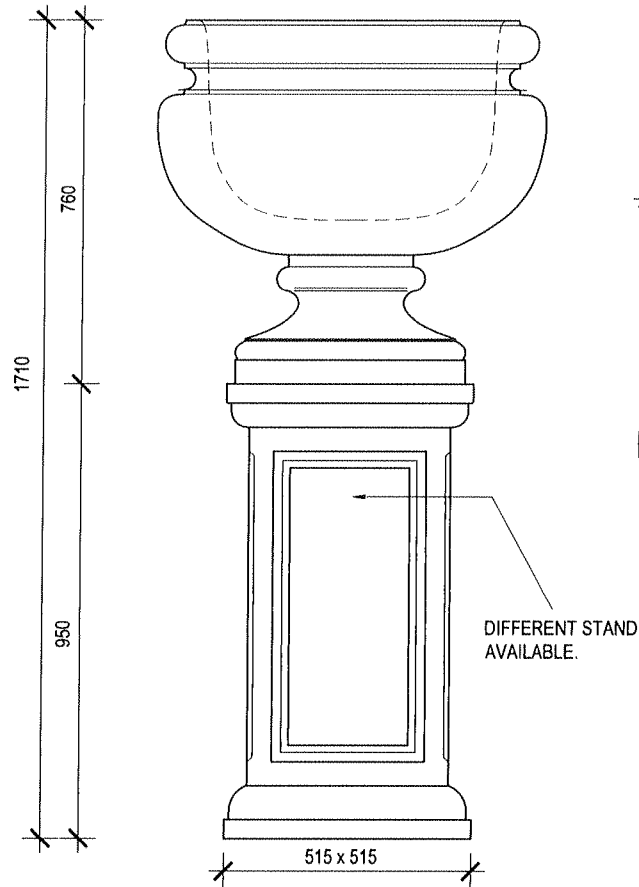


URN: U.N15A

U.N 15A HAS FLUTING PATTERN.

COLONIAL SANDSTONE PRODUCTS PTY LTD

VASES/URNS AND PEDESTAL STAND (CONT.)



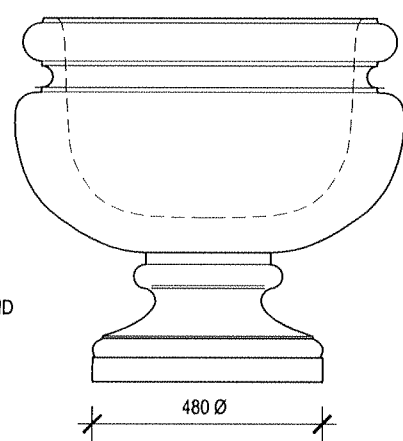
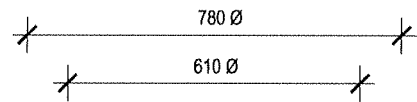
U.N 16 WITH STAND

SCALE: 1:15

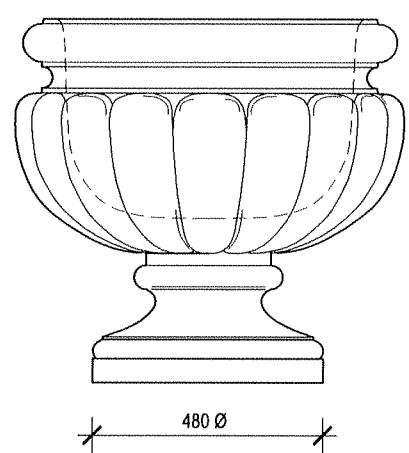
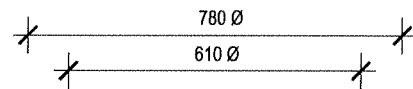


URN: U.N 16A

SCALE: NIL



URN: U.N 16



URN: U.N 16A

U.N 16A HAS FLUTING PATTERN.

COLONIAL SANDSTONE PRODUCTS PTY LTD

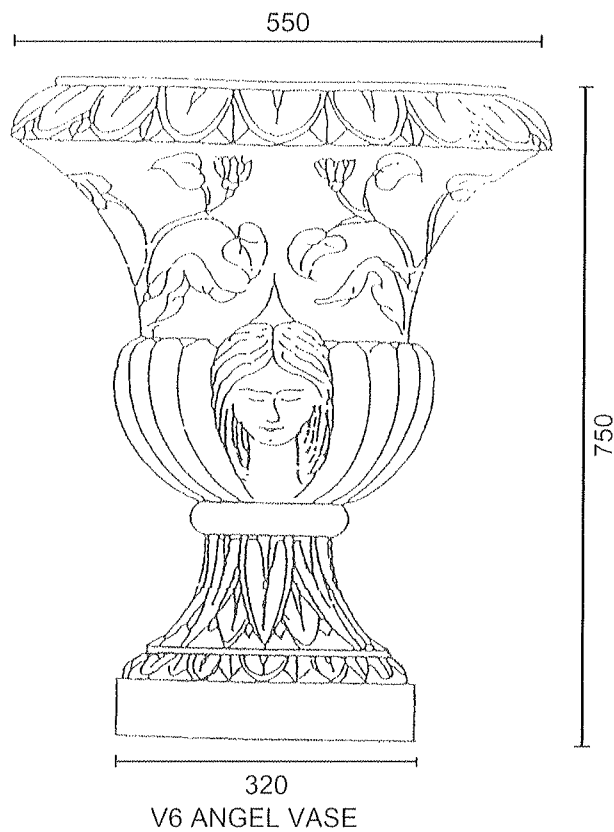
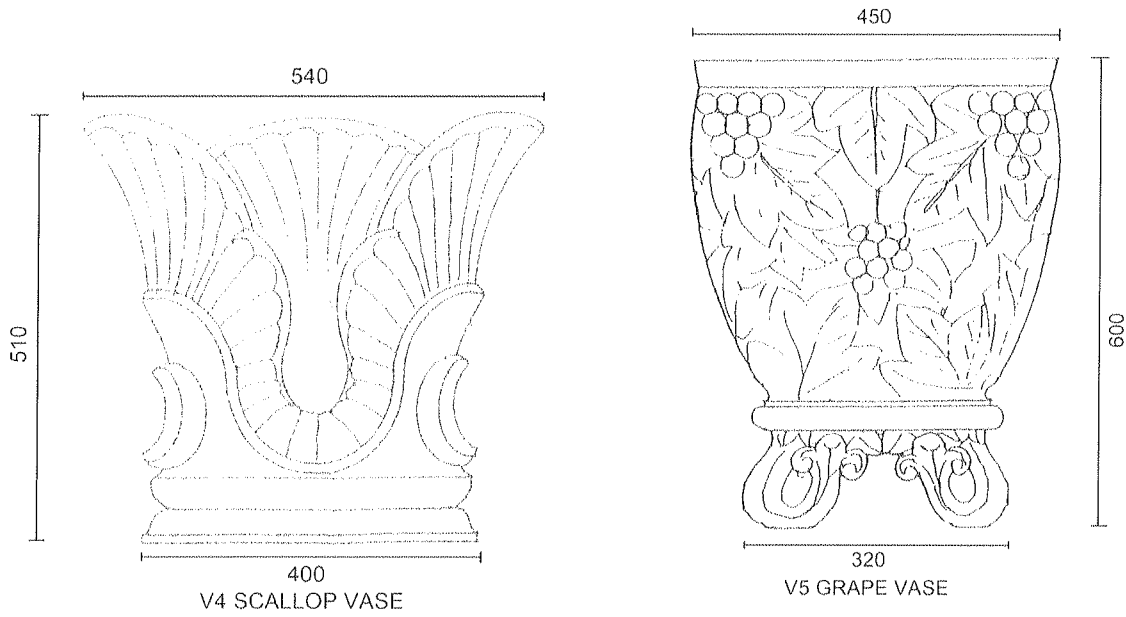
incorporating Formstone

ABN 52 065 746 090

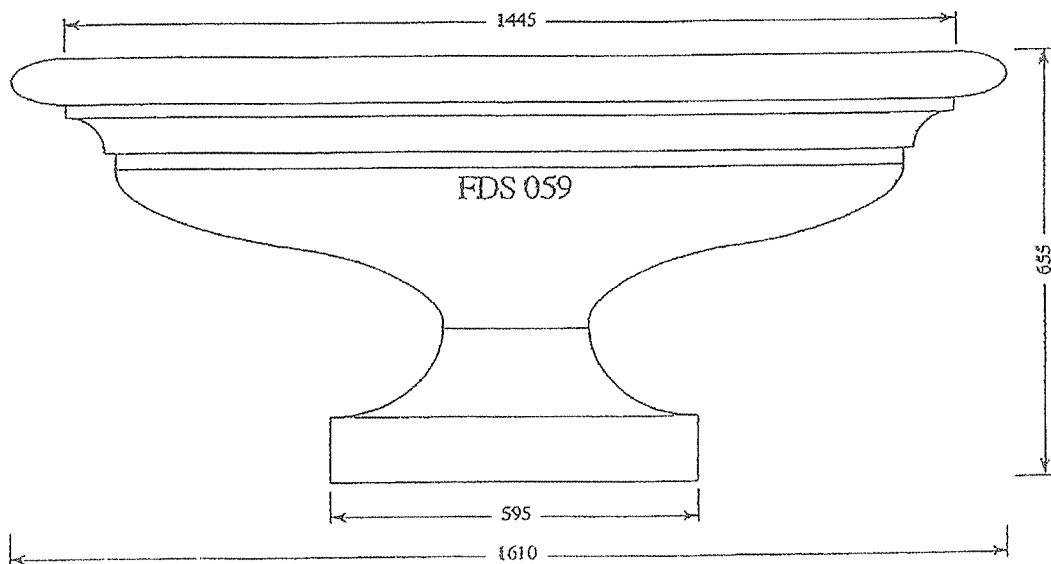
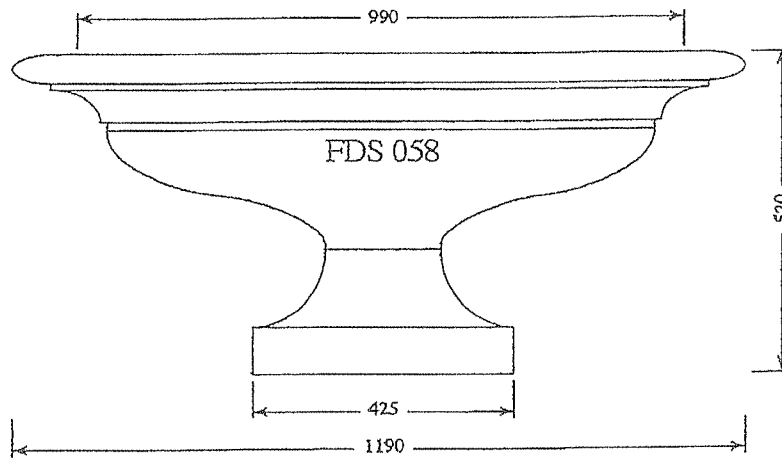
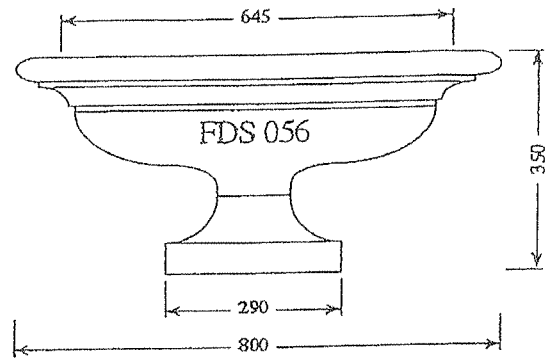
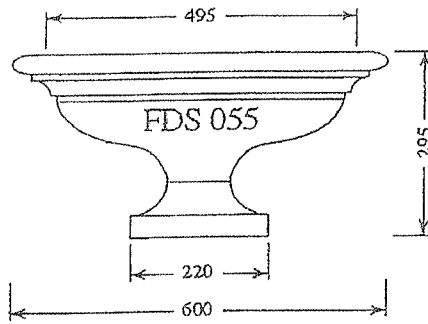
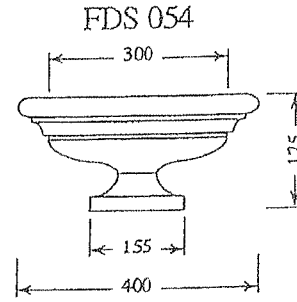
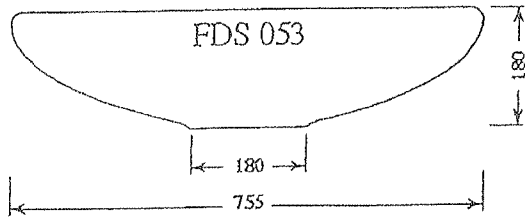
25 PARAMOUNT DRIVE WANGARA WA 6065

TEL: 9302 1972 FAX: 9302 2161

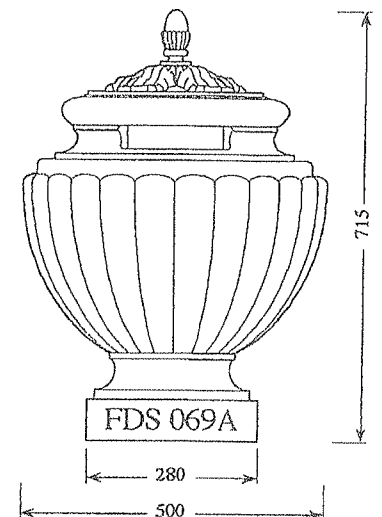
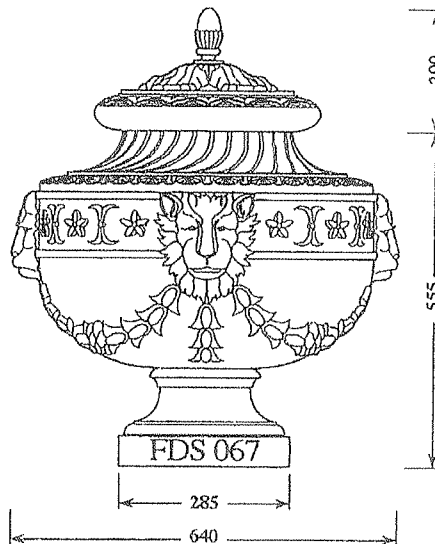
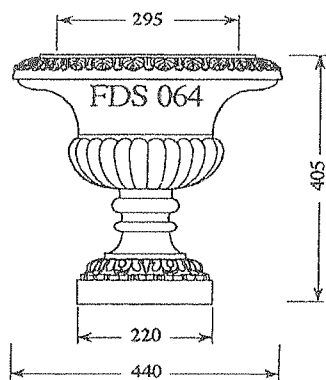
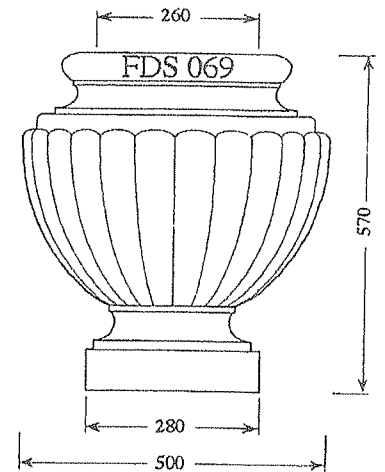
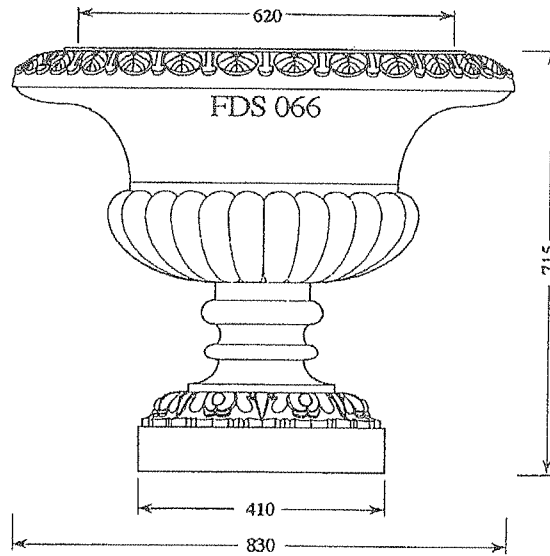
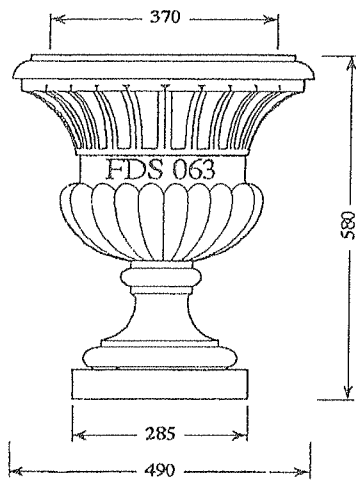
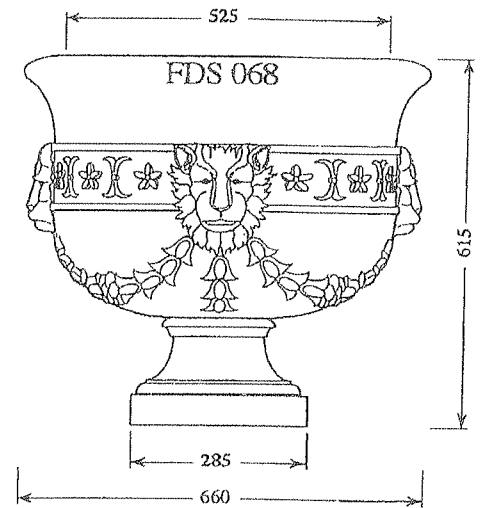
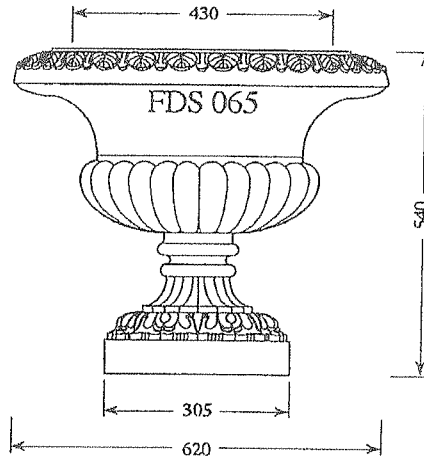
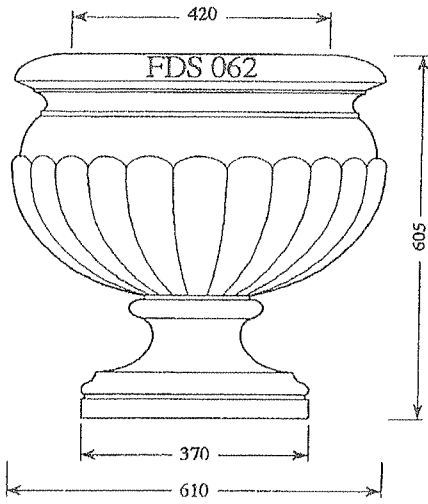
WEB: www.colonialsandstone.com.au



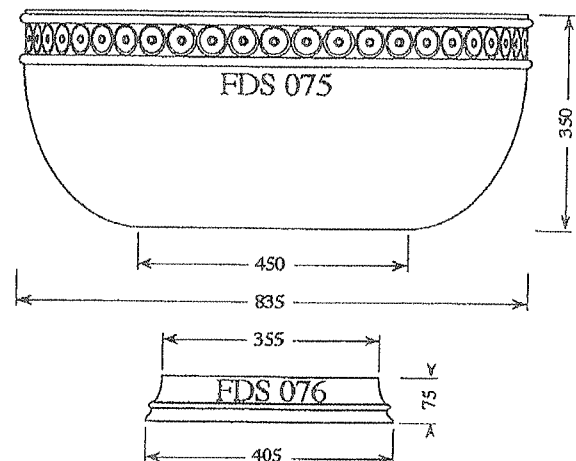
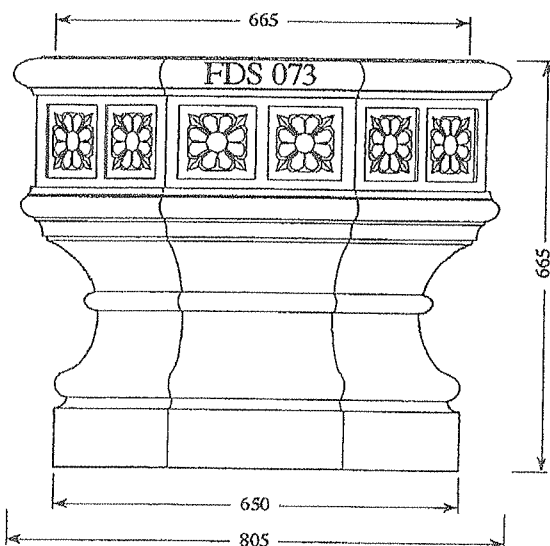
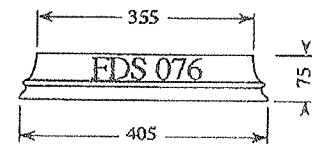
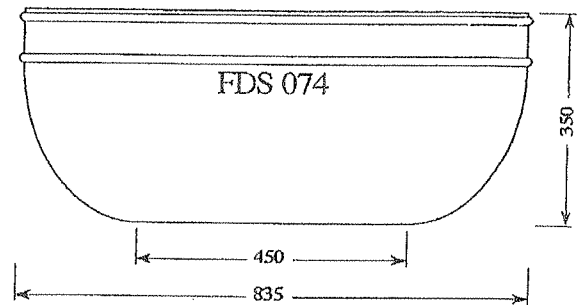
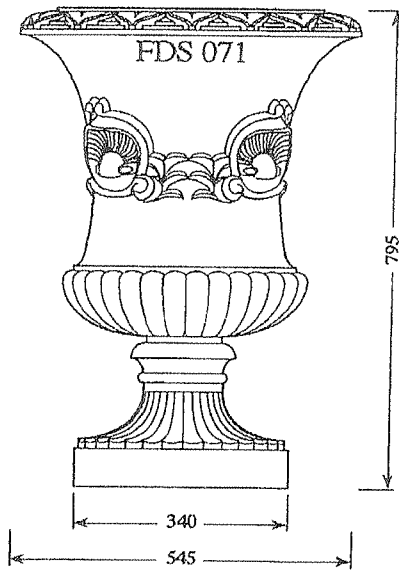
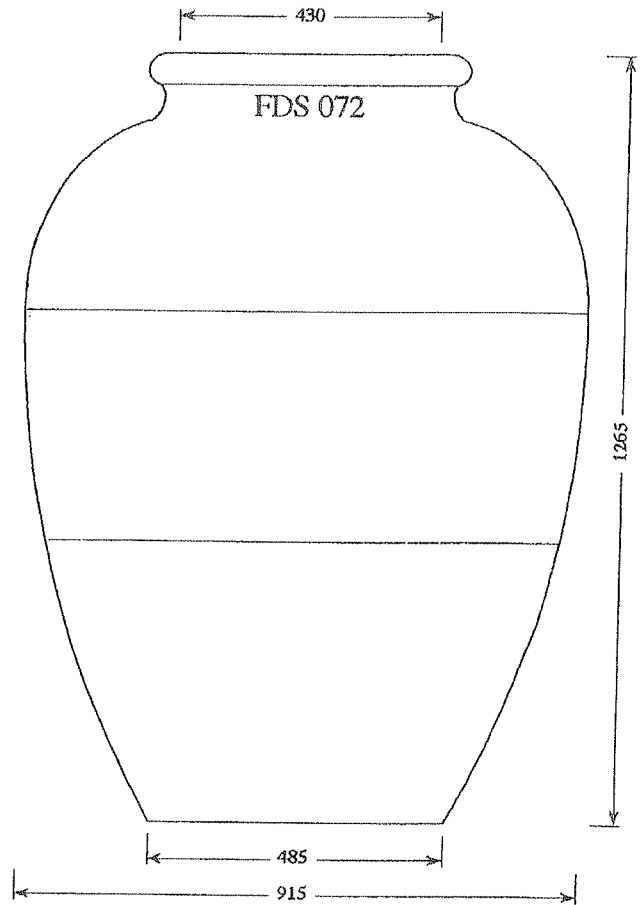
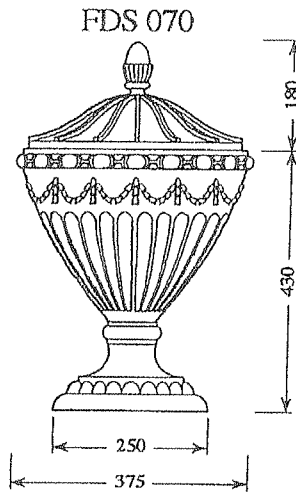
FORMSTONE URNS



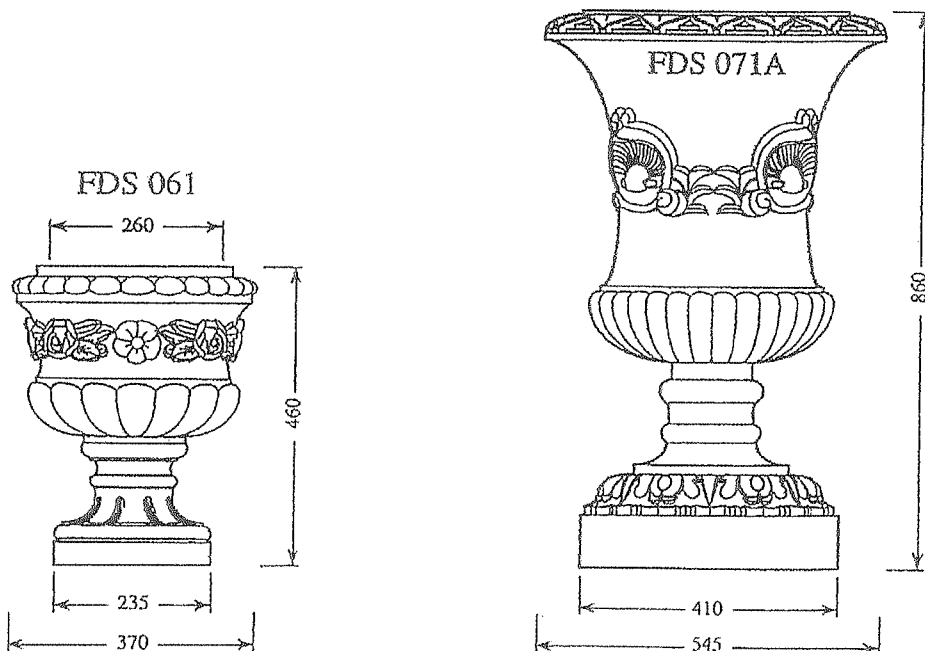
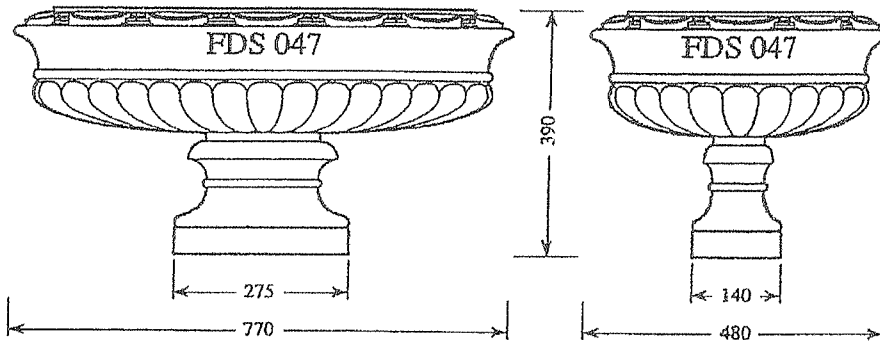
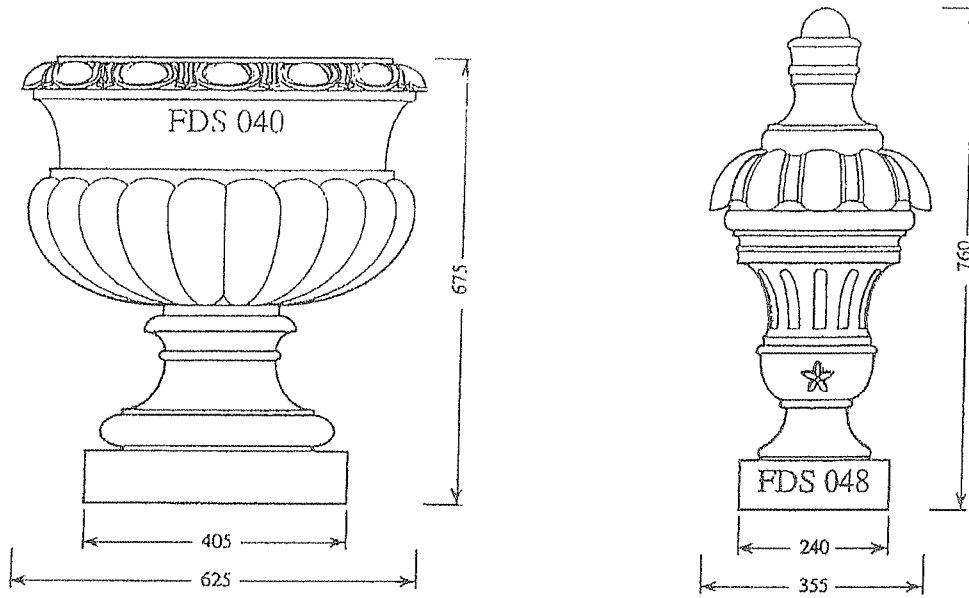
FORMSTONE URNS



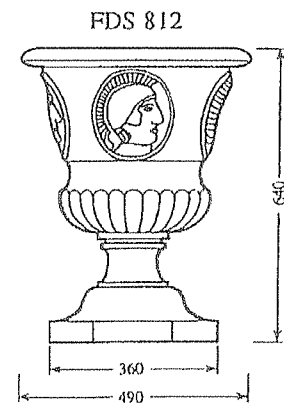
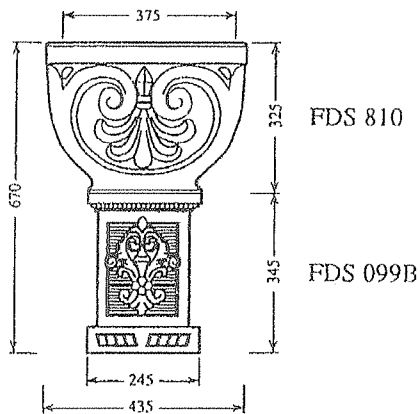
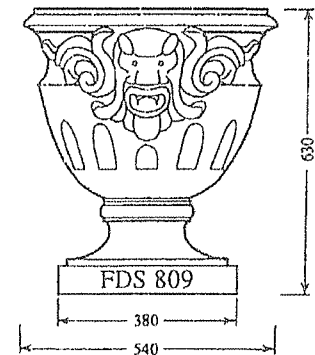
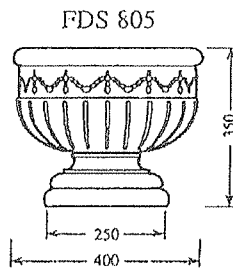
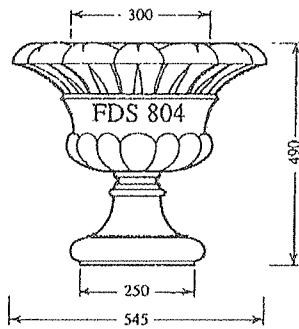
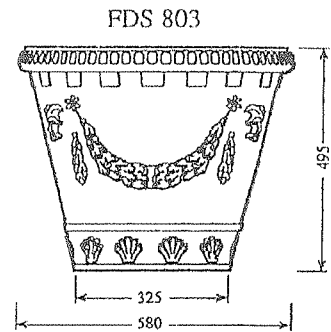
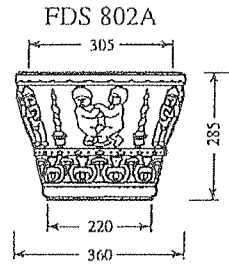
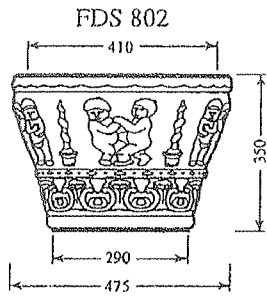
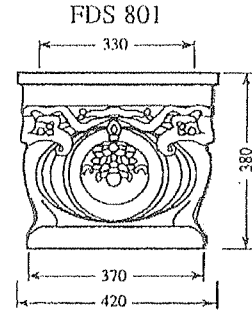
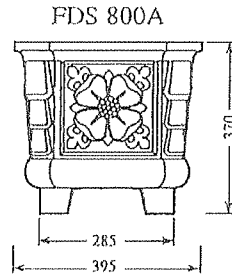
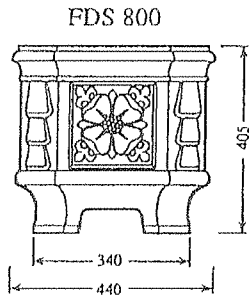
FORMSTONE URNS



FORMSTONE DESIGNER RANGE



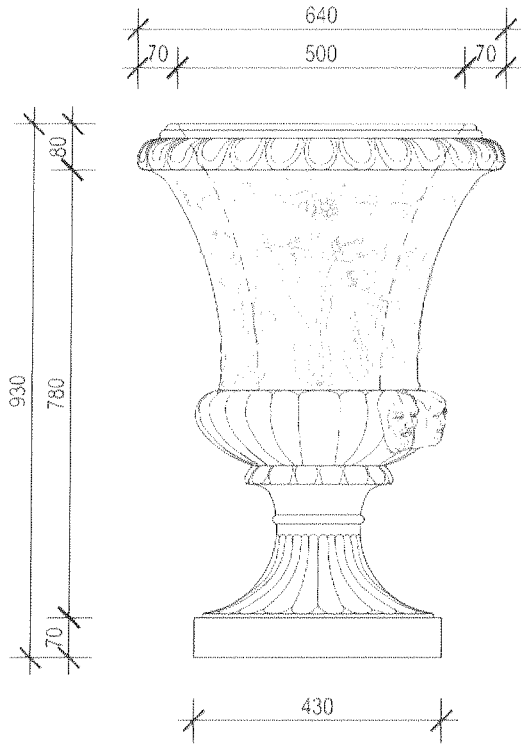
FORMSTONE STANDARD RANGE



COLONIAL SANDSTONE PRODUCTS PTY LTD

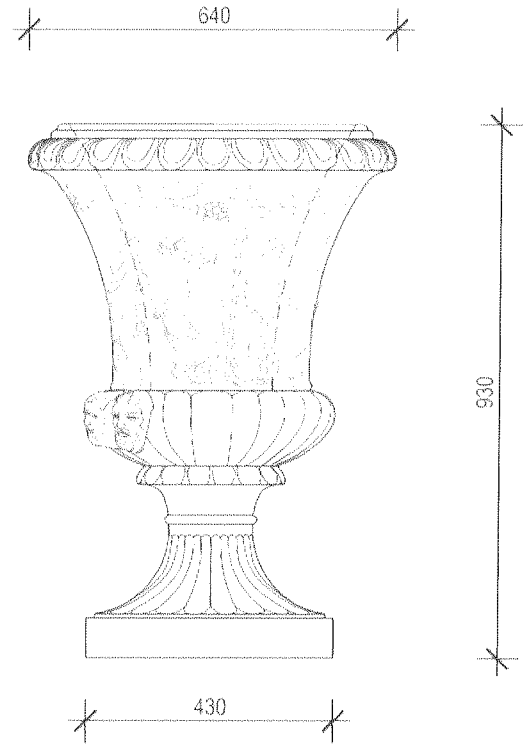
incorporating Formstone

ABN 52 065 746 090
25 PARAMOUNT DRIVE WANGARA WA 6065
TEL: 9302 1972 FAX: 9302 2161
WEB: www.colonialsandstone.com.au



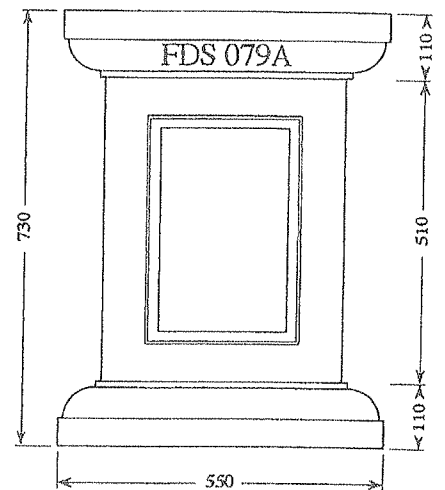
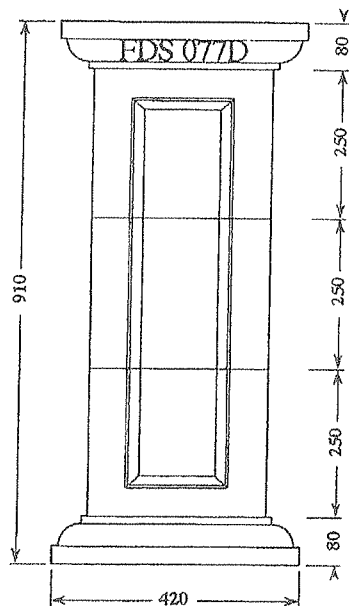
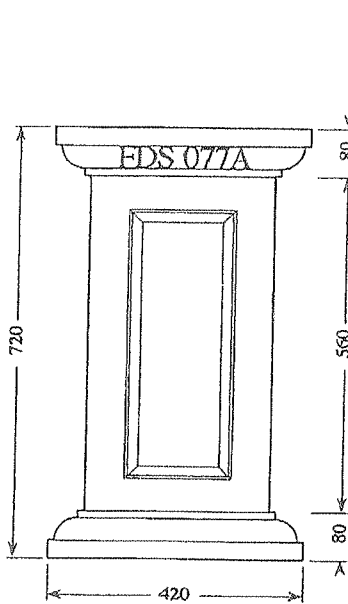
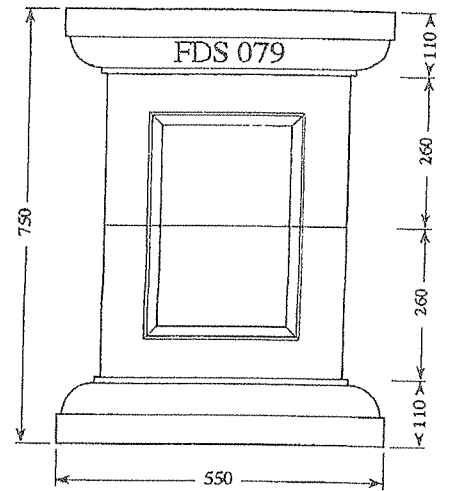
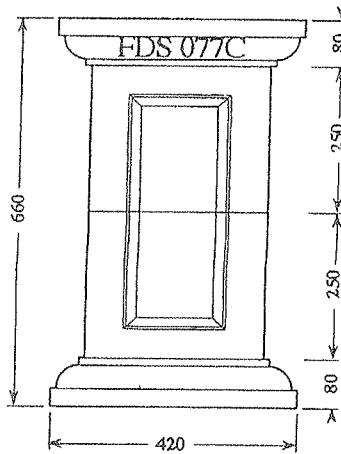
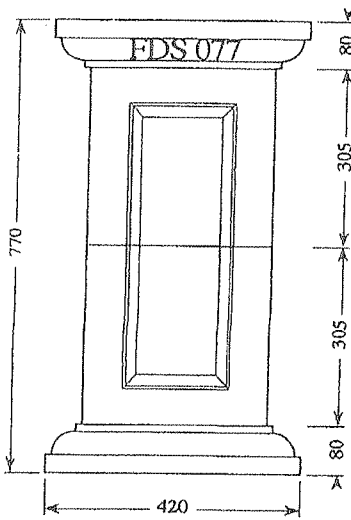
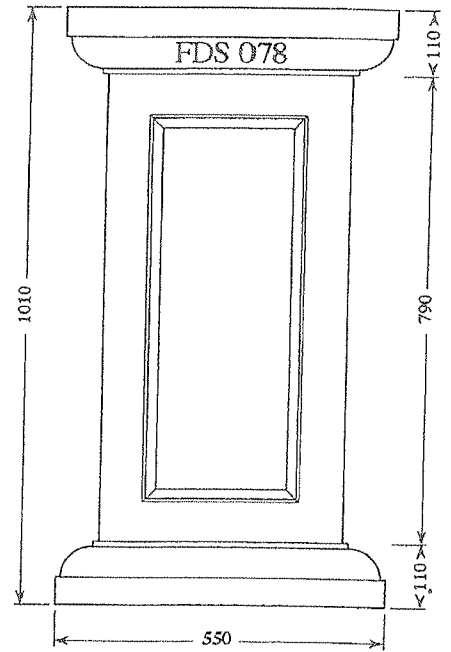
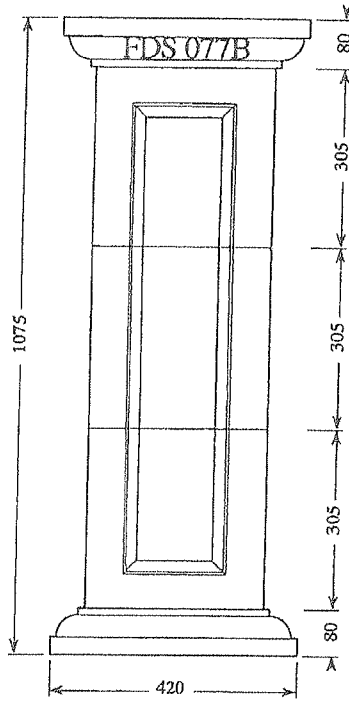
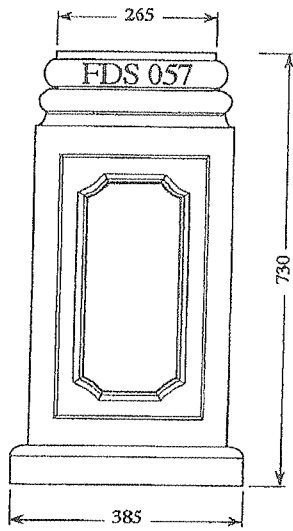
FRONT VIEW

FDS071B

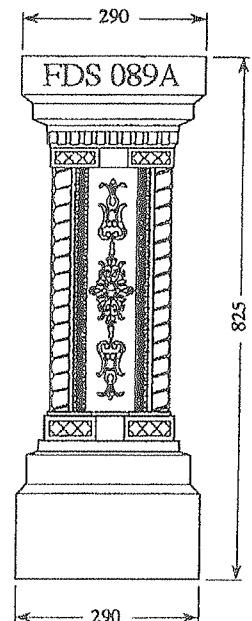
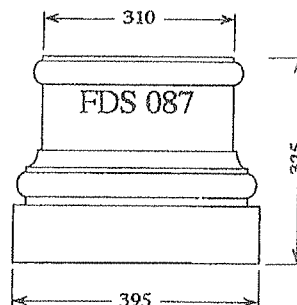
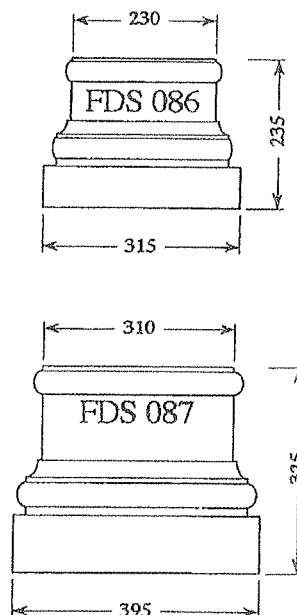
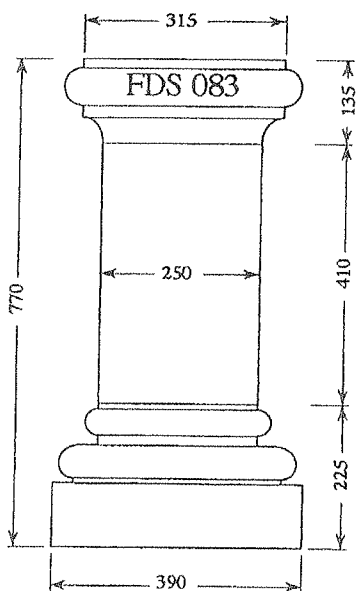
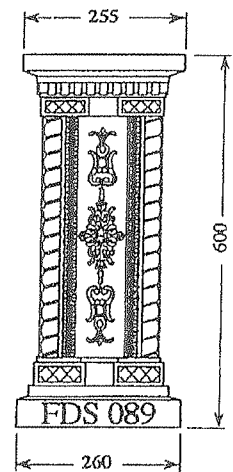
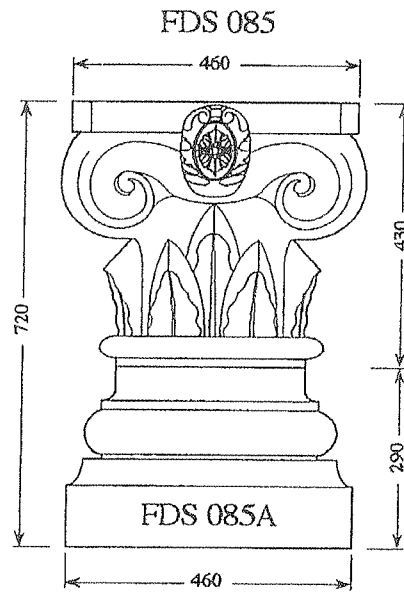
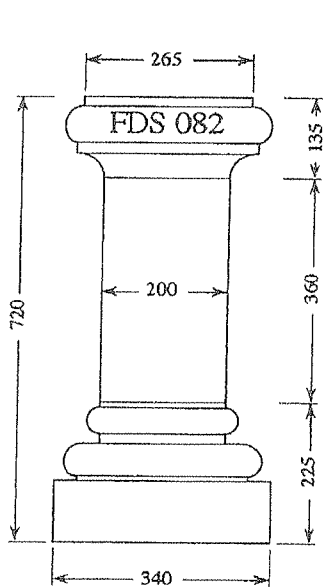
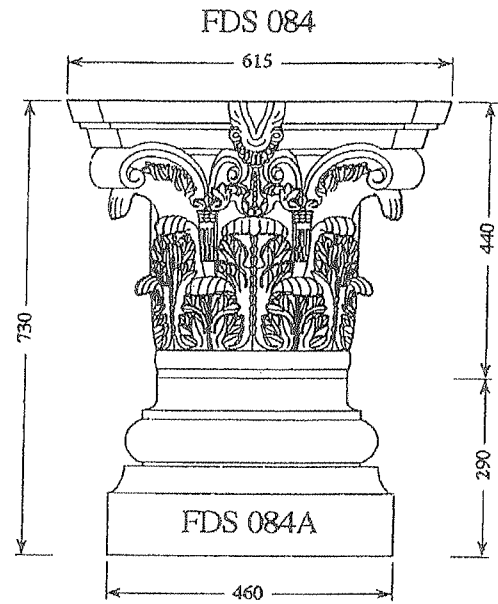
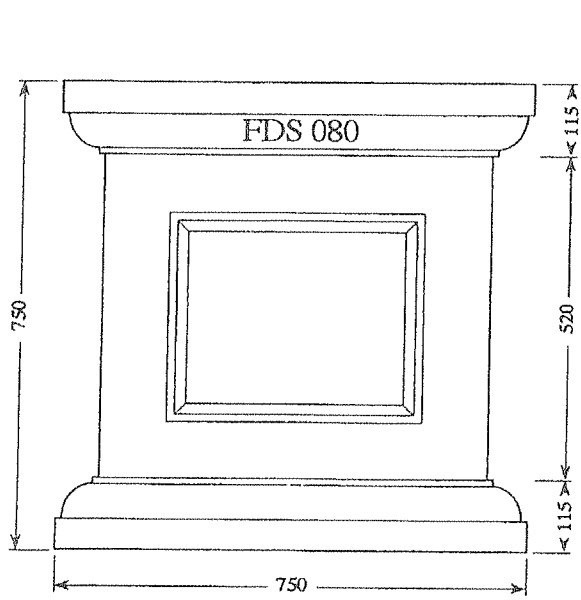


RIGHT SIDE VIEW

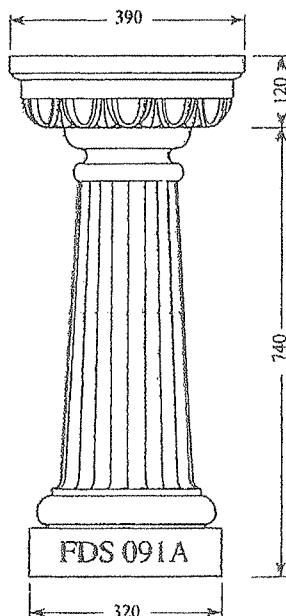
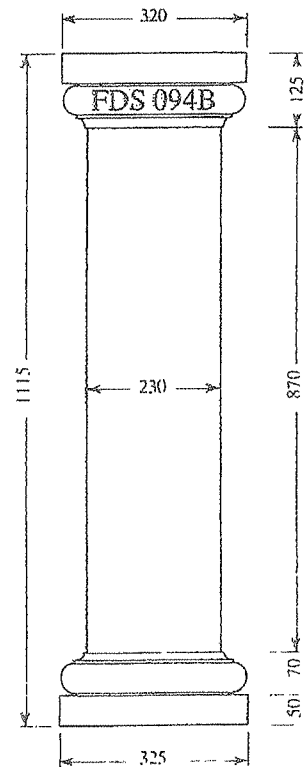
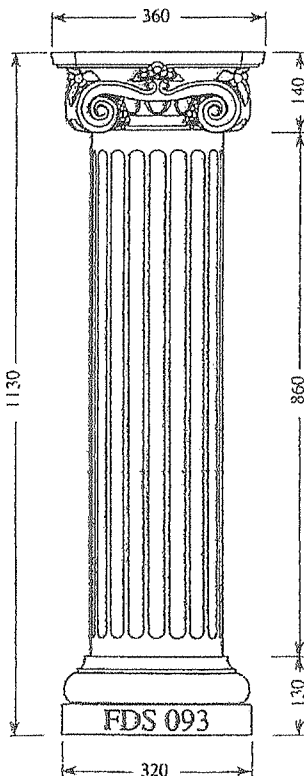
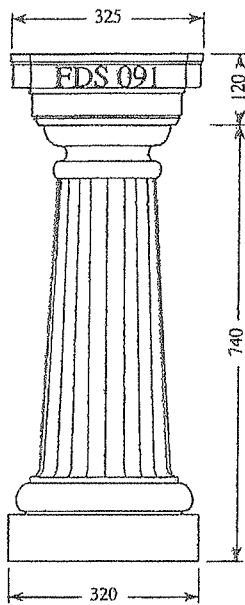
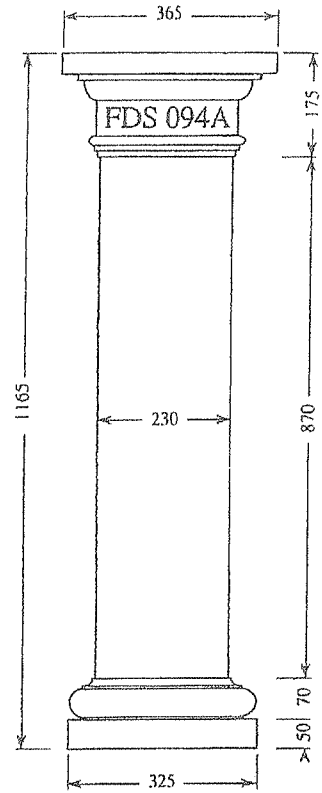
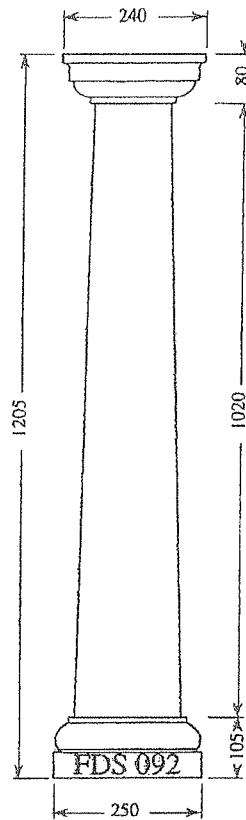
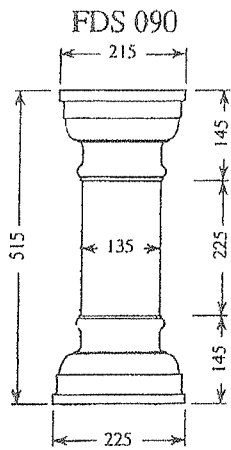
FORMSTONE PEDESTALS & PLYNTHS



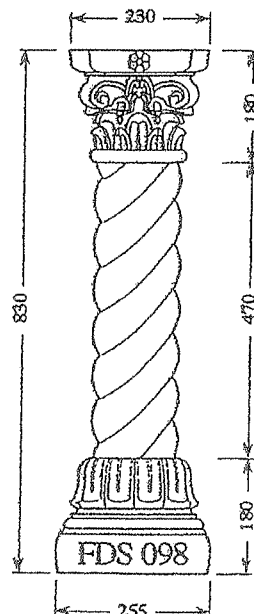
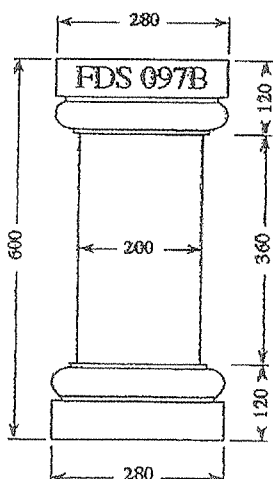
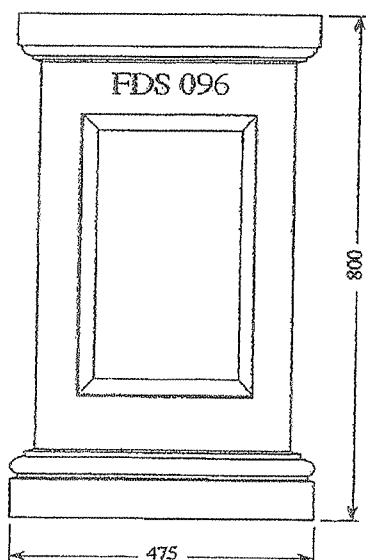
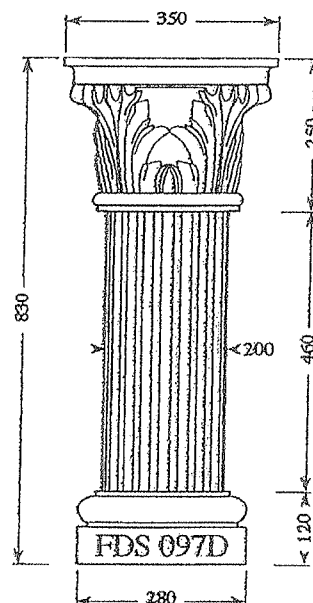
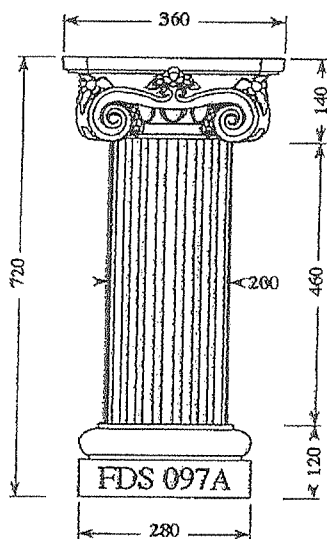
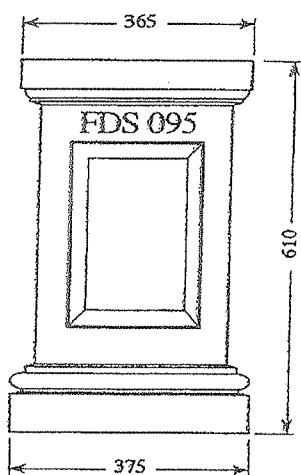
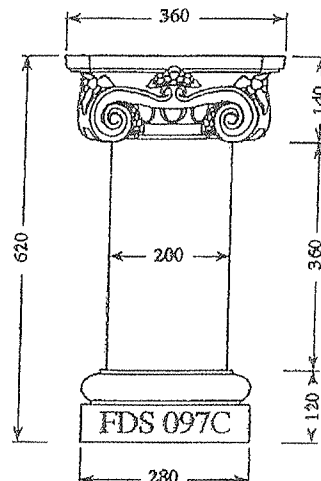
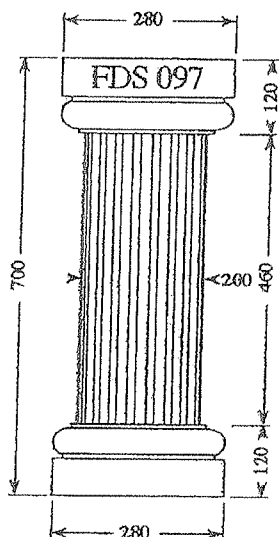
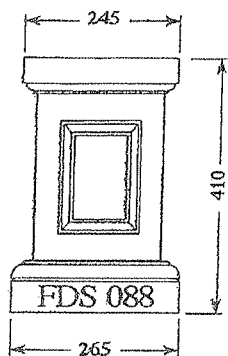
FORMSTONE PEDESTALS & PLYNTHS



FORMSTONE PEDESTALS & PLYNTHS



FORMSTONE PEDESTALS & PLYNTHS



FORMSTONE PEDESTALS & PLYNTHS

