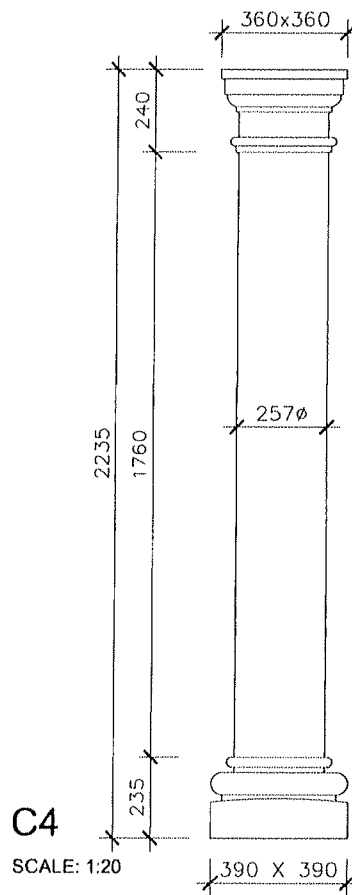
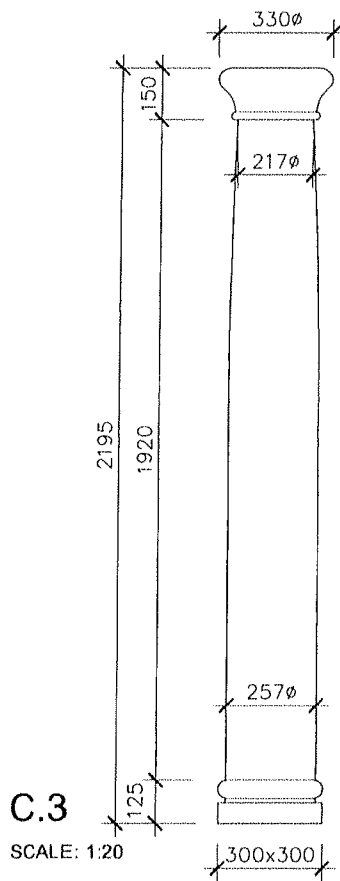
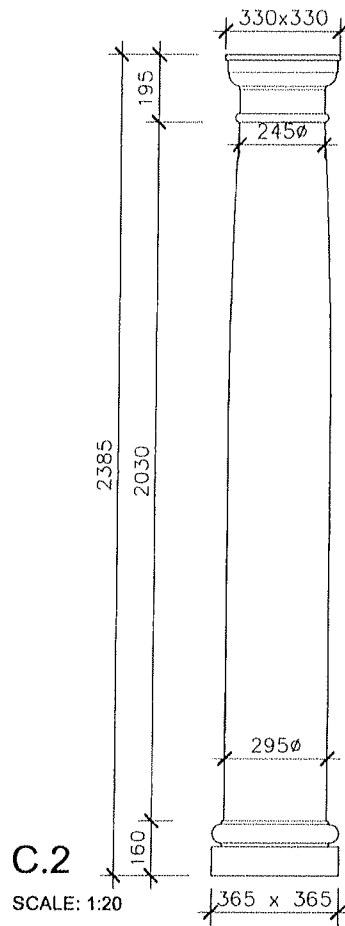
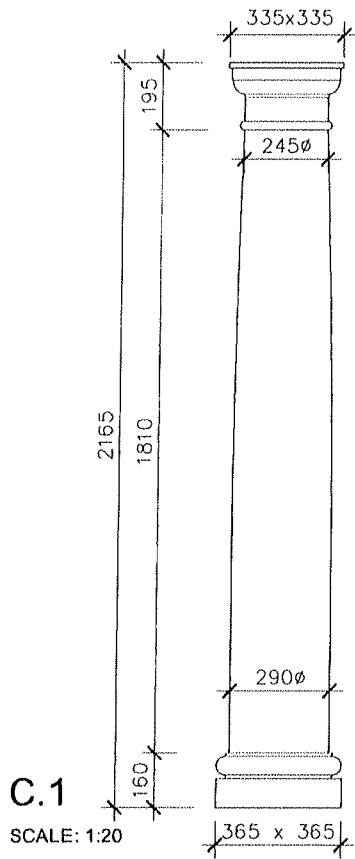


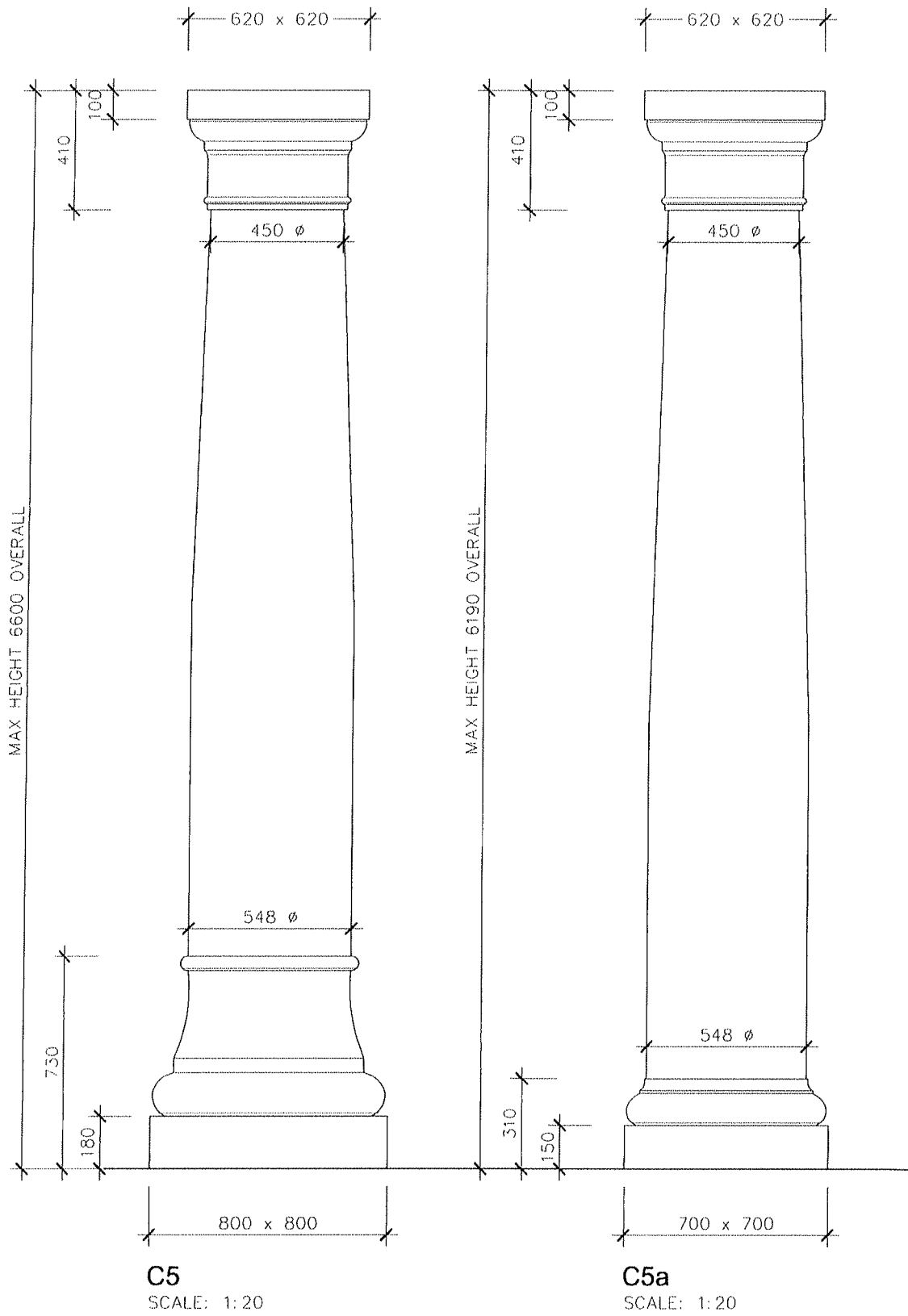
# COLONIAL SANDSTONE PRODUCTS PTY LTD

## SANDSTONE COLUMNS



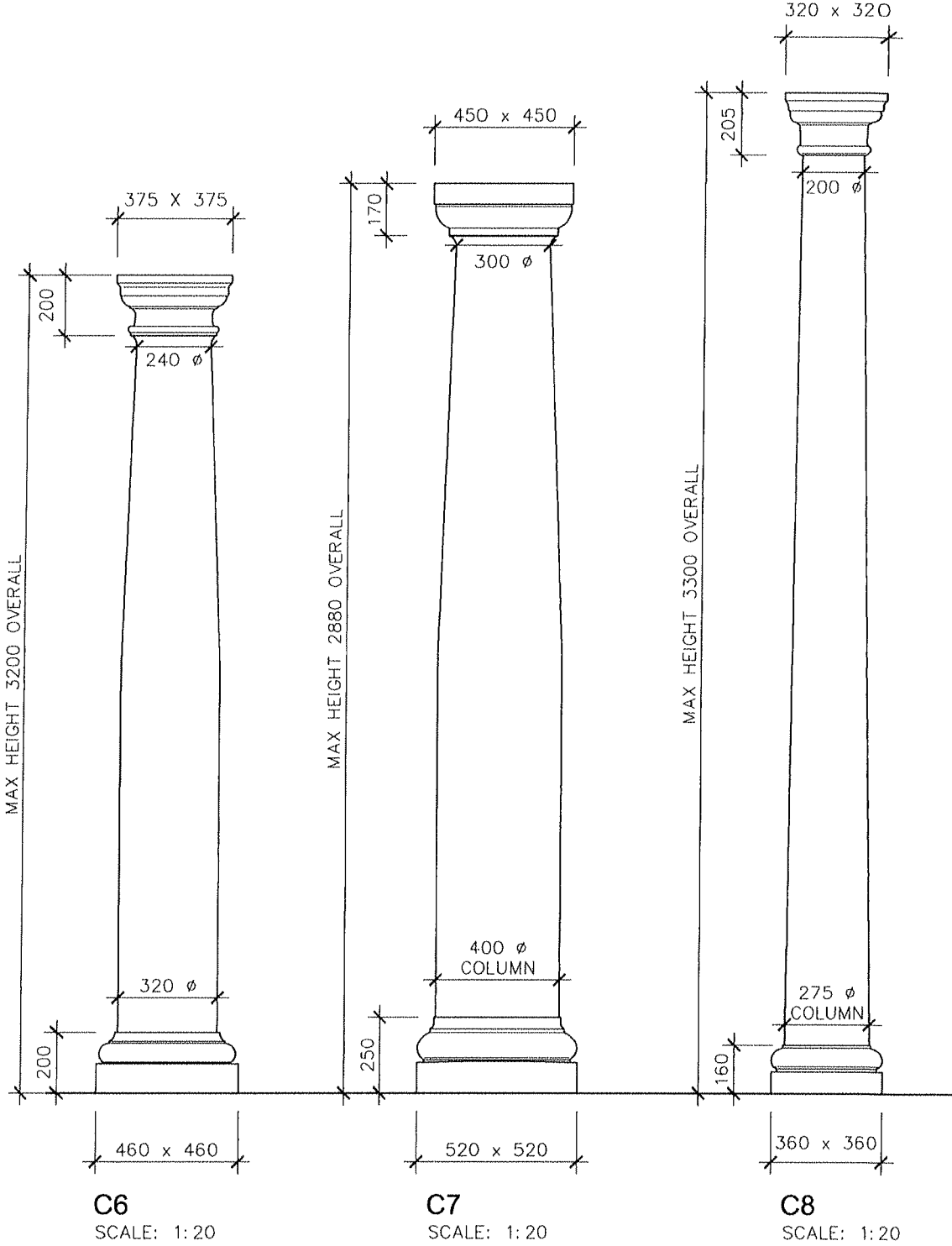
# COLONIAL SANDSTONE PRODUCTS PTY LTD

## SANDSTONE COLUMNS (CONT.)



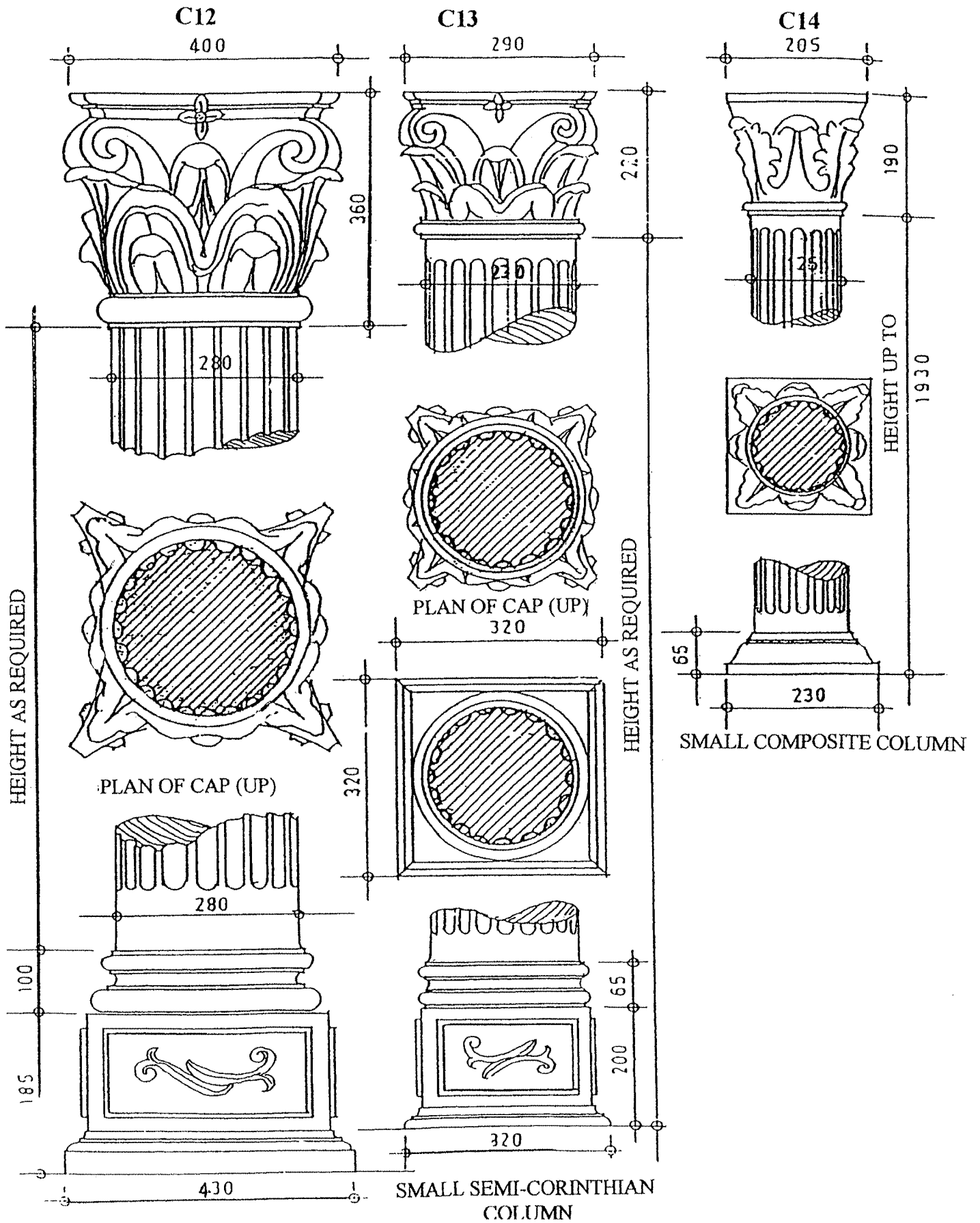
# COLONIAL SANDSTONE PRODUCTS PTY LTD

## SANDSTONE COLUMNS (CONT.)



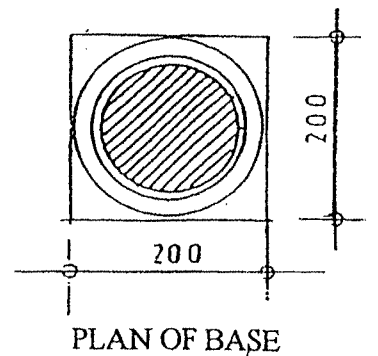
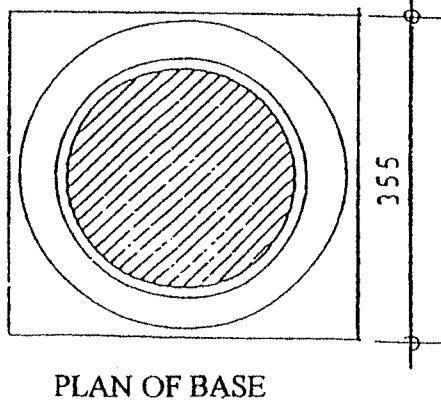
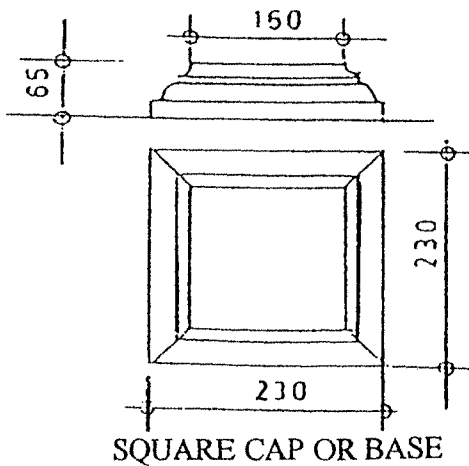
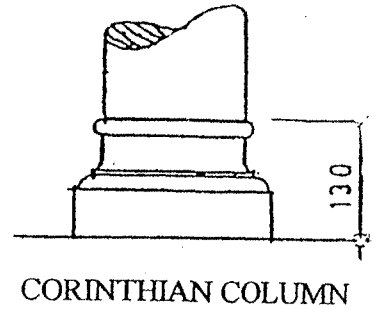
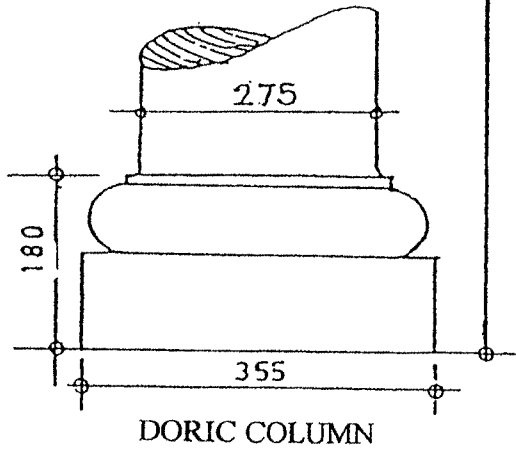
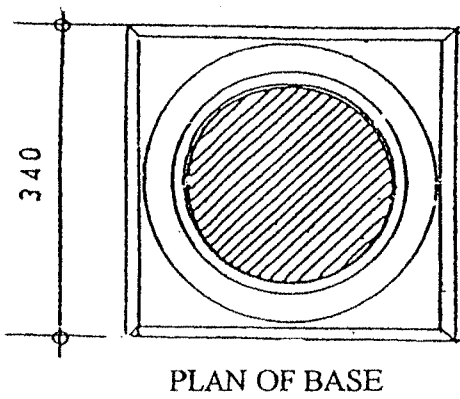
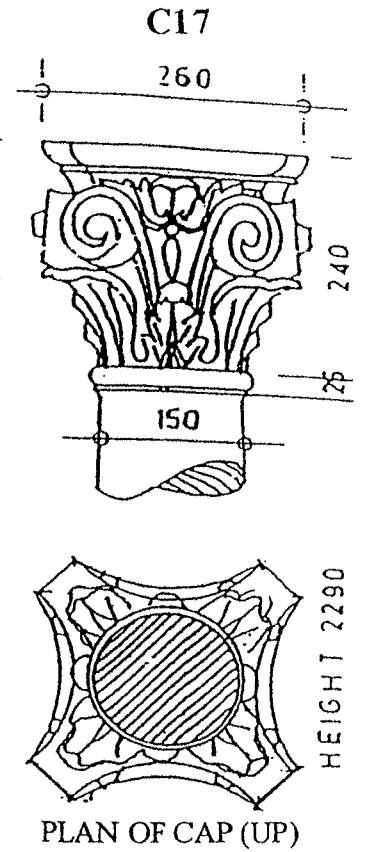
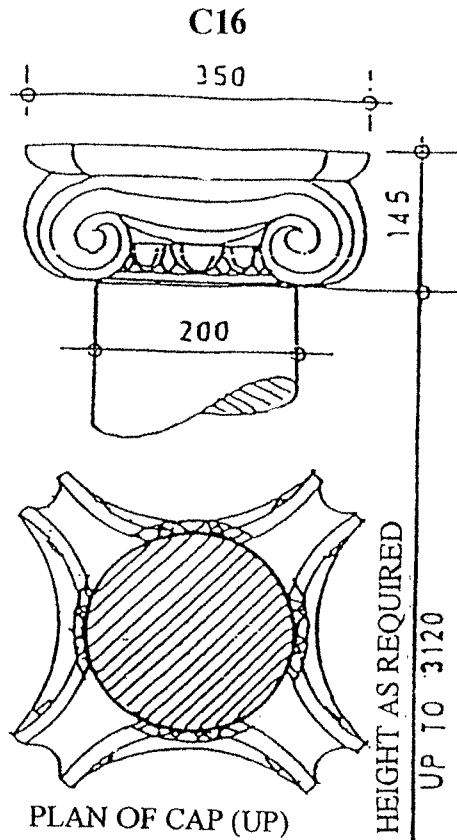
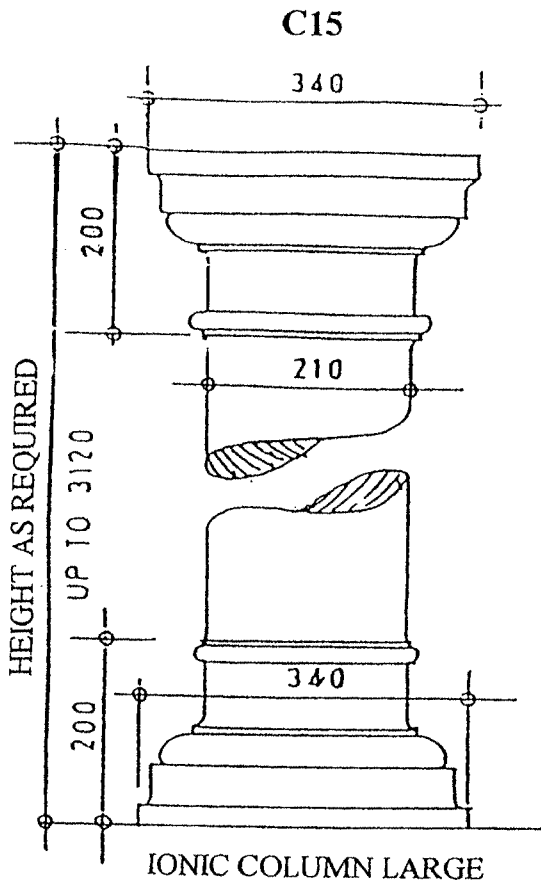
# COLONIAL SANDSTONE PRODUCTS PTY LTD

## SANDSTONE COLUMNS (CONT.)



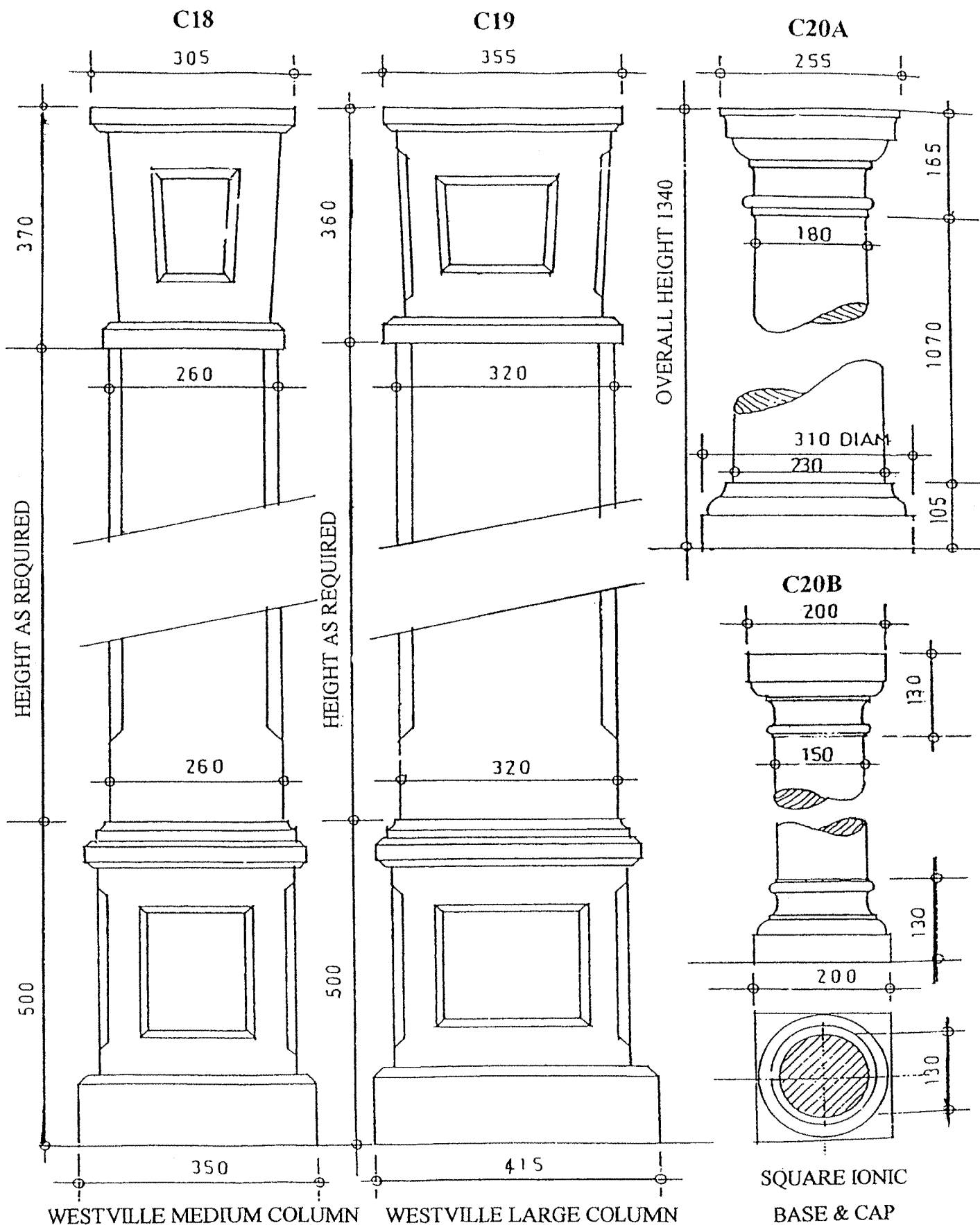
# COLONIAL SANDSTONE PRODUCTS PTY LTD

## SANDSTONE COLUMNS (CONT.)



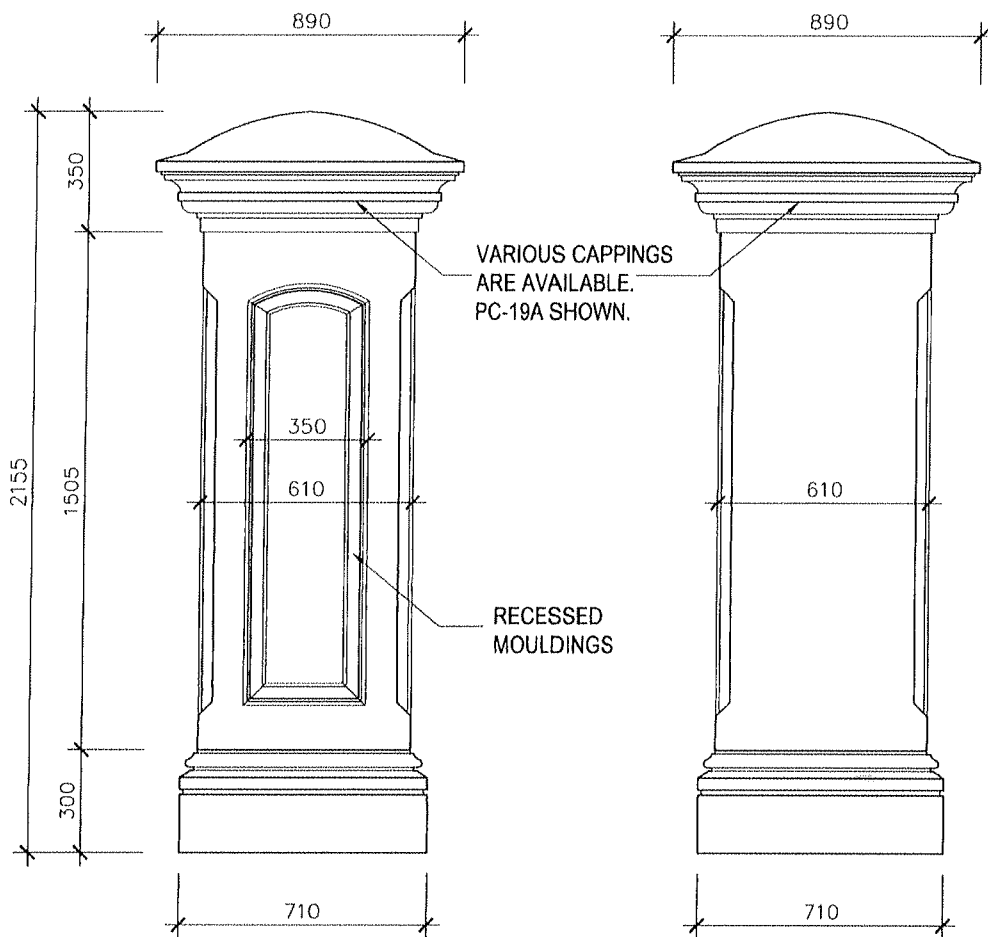
# COLONIAL SANDSTONE PRODUCTS PTY LTD

## SANDSTONE COLUMNS (CONT.)



# COLONIAL SANDSTONE PRODUCTS PTY LTD

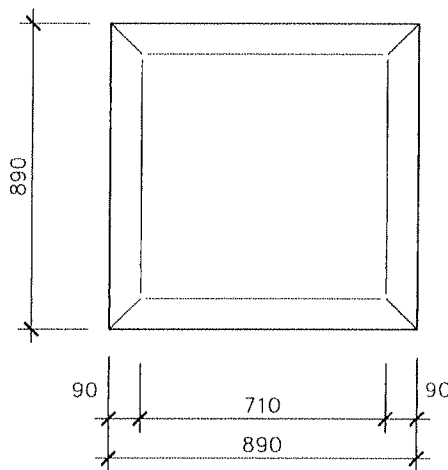
## SANDSTONE COLUMN (C.)



FRONT/BACK VIEW

SCALE: 1:20

SIDE VIEW



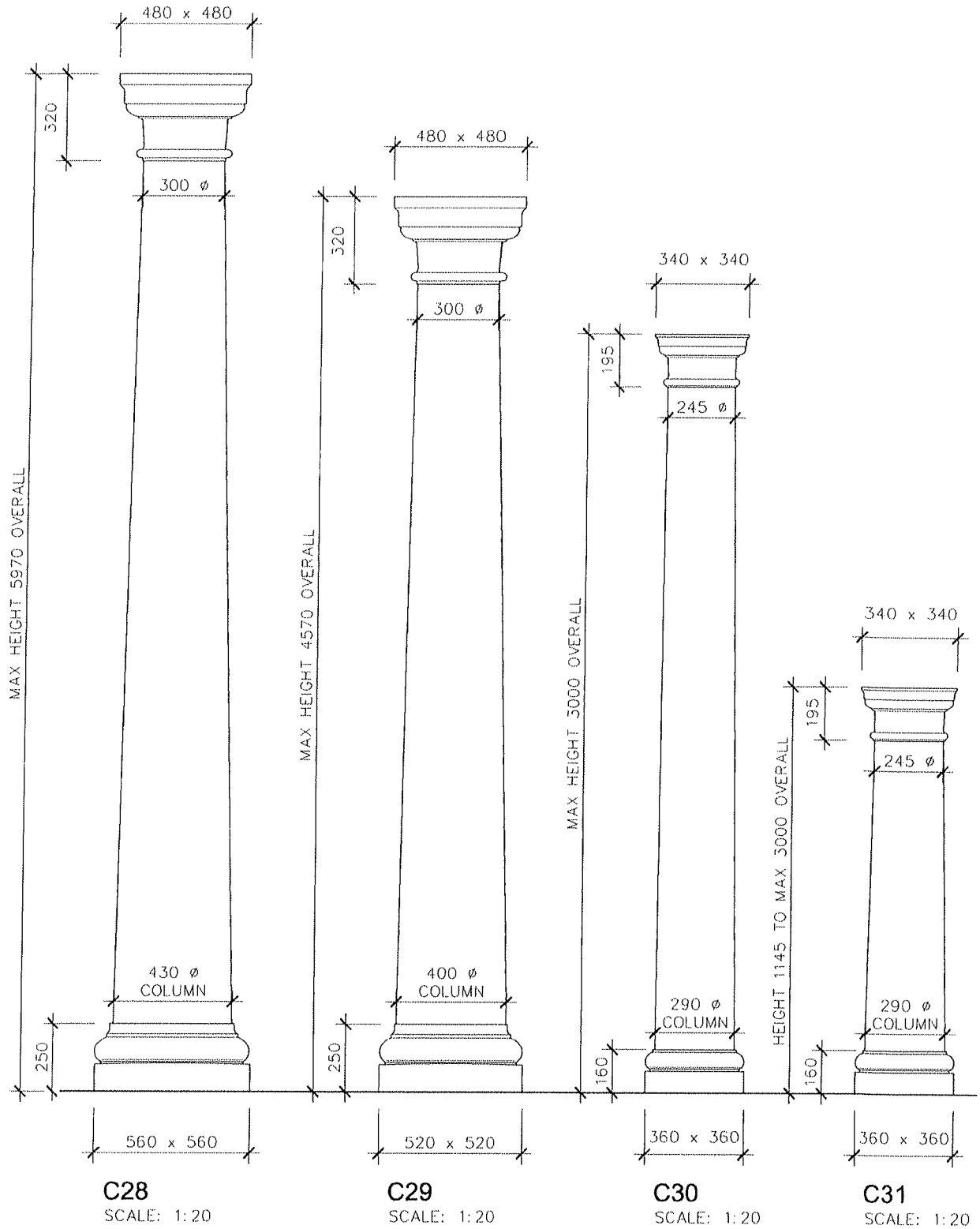
PLAN

C. 27a

IDEAL FOR BOUNDARY FENCE,  
GATE POST AND LETTERBOX

# COLONIAL SANDSTONE PRODUCTS PTY LTD

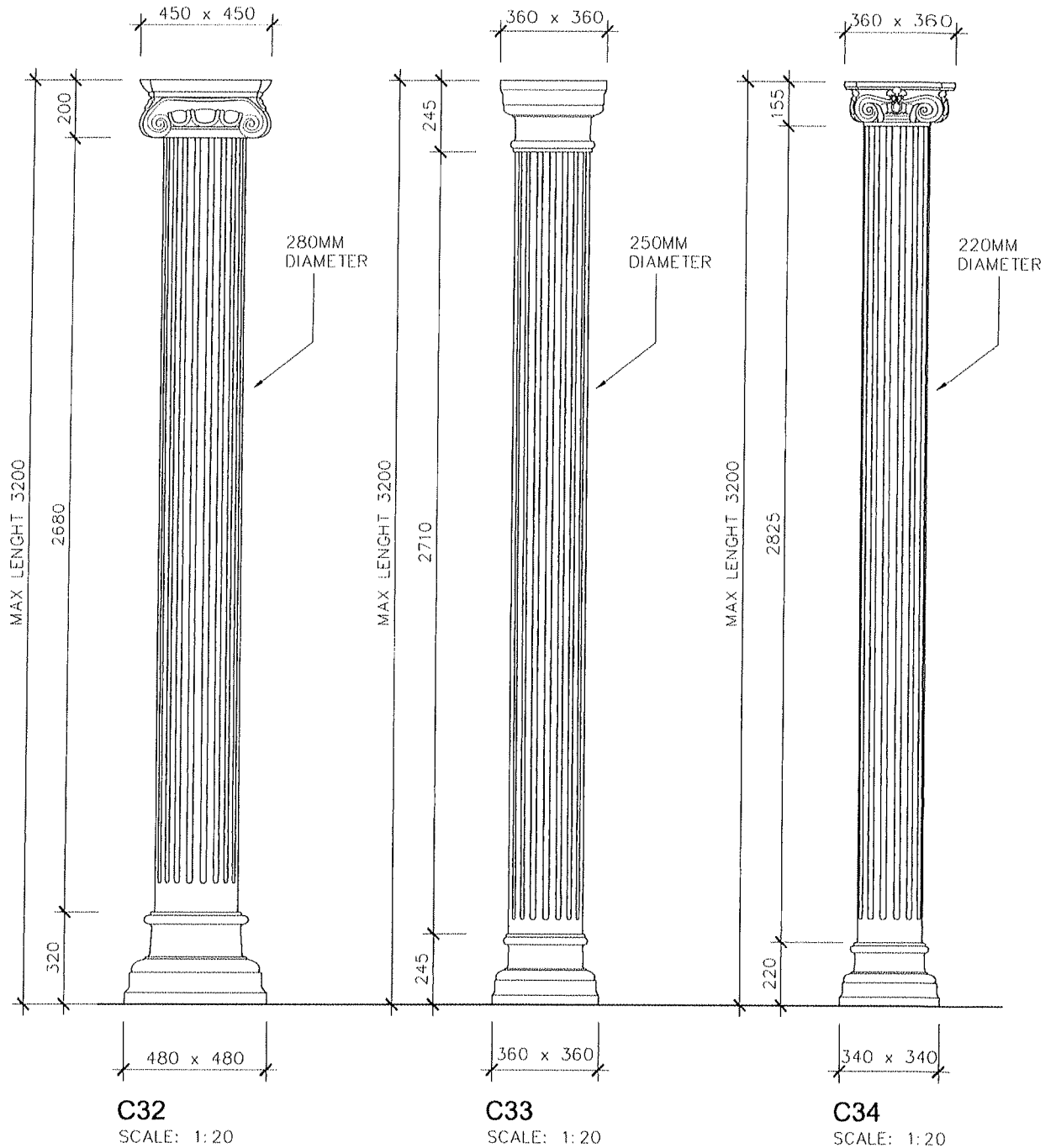
## SANDSTONE COLUMNS (CONT.)





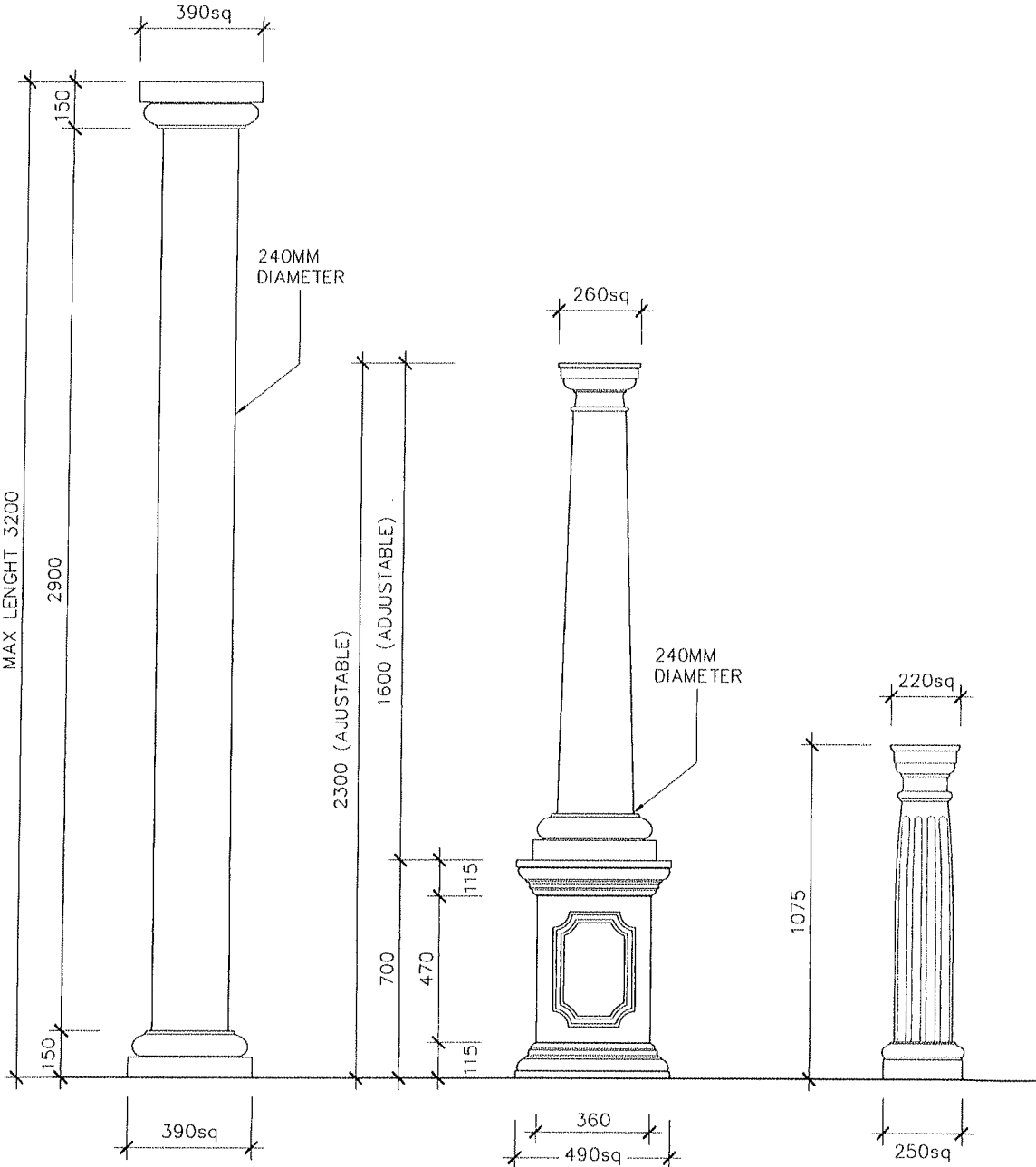
# COLONIAL SANDSTONE PRODUCTS PTY LTD

## SANDSTONE COLUMNS (CONT.)



# COLONIAL SANDSTONE PRODUCTS PTY LTD

## SANDSTONE COLUMNS (CONT.)

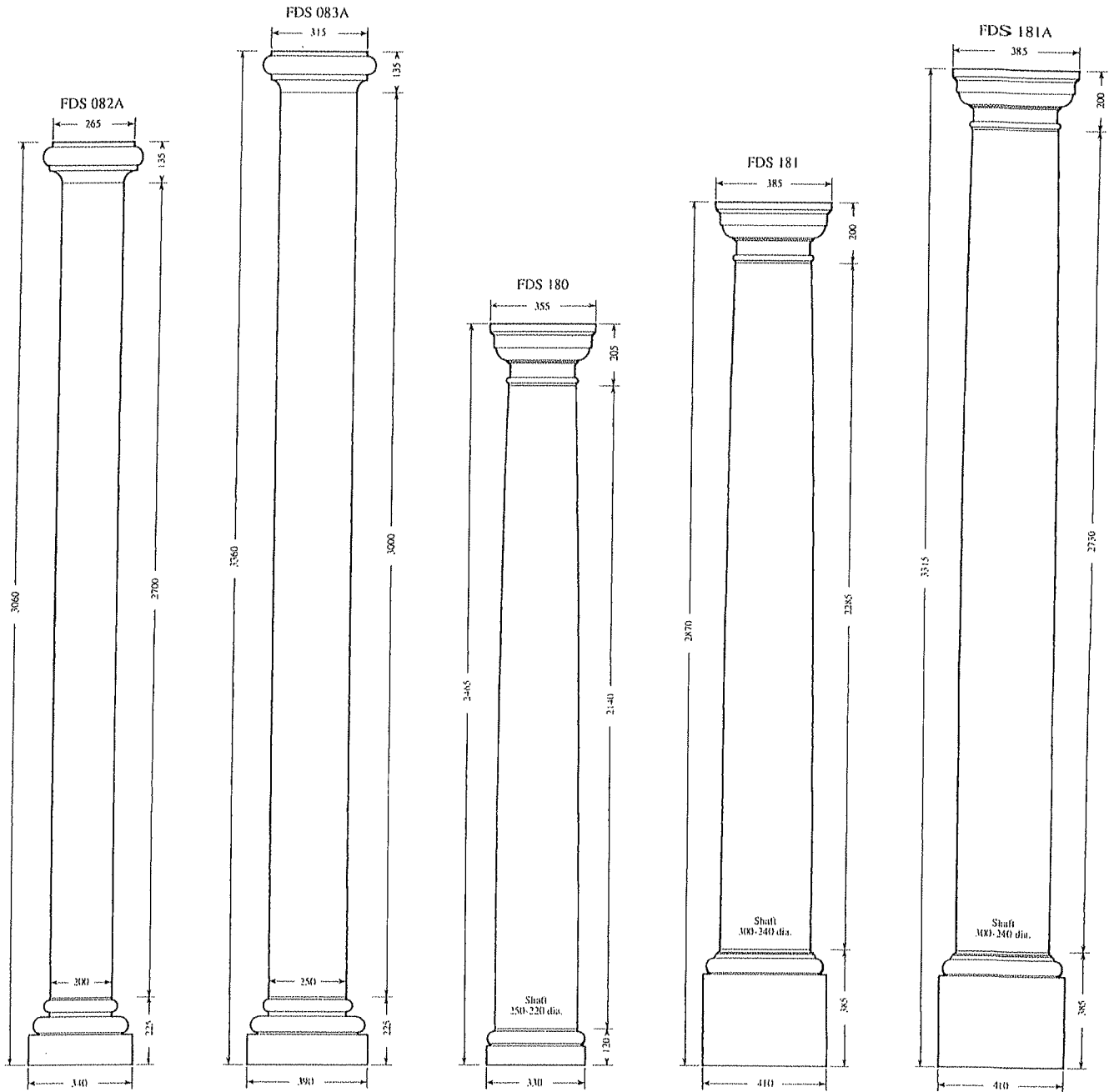


**C35**  
SCALE: 1:20

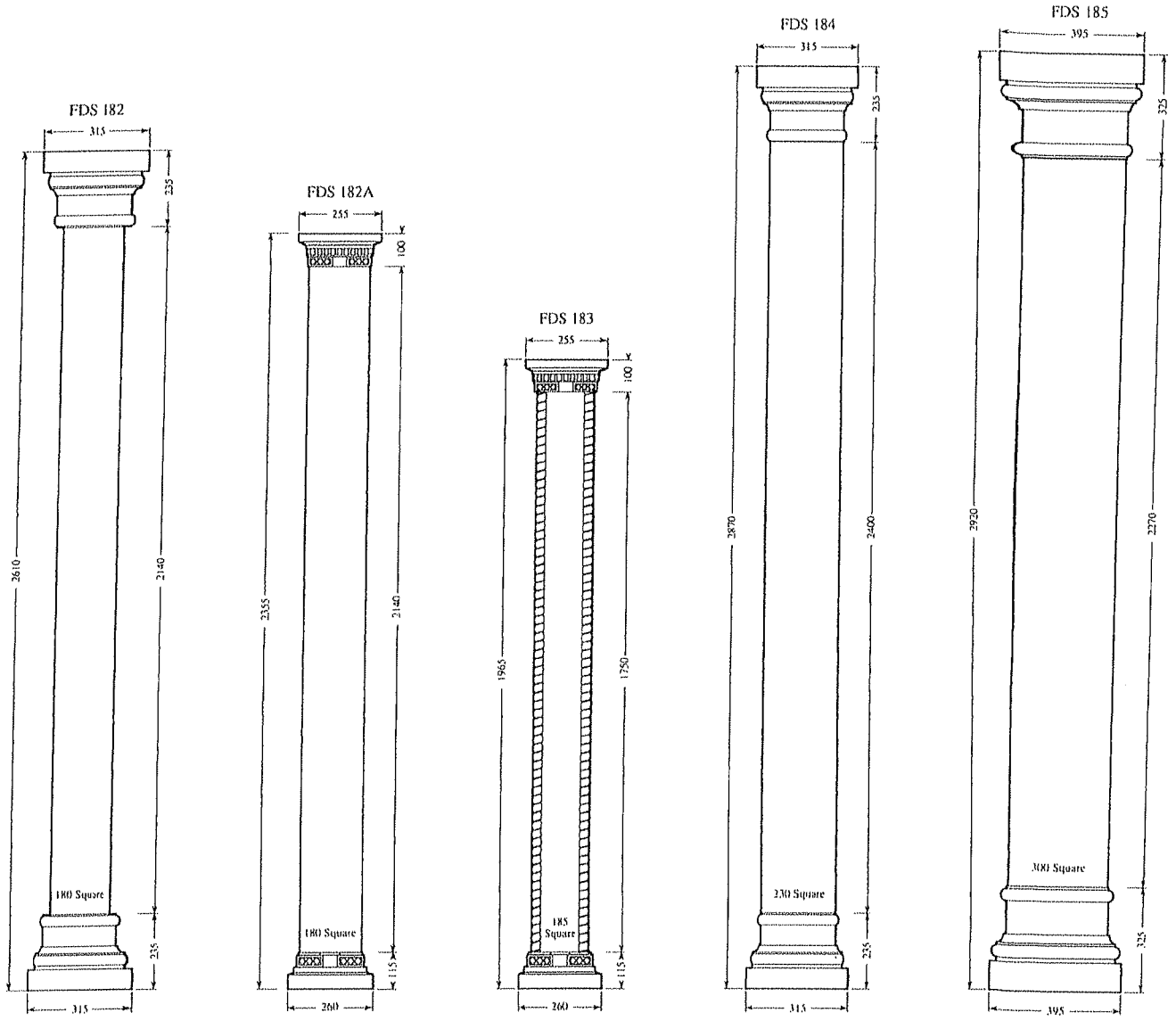
**C36**  
SCALE: 1:20

**C37**  
SCALE: 1:20

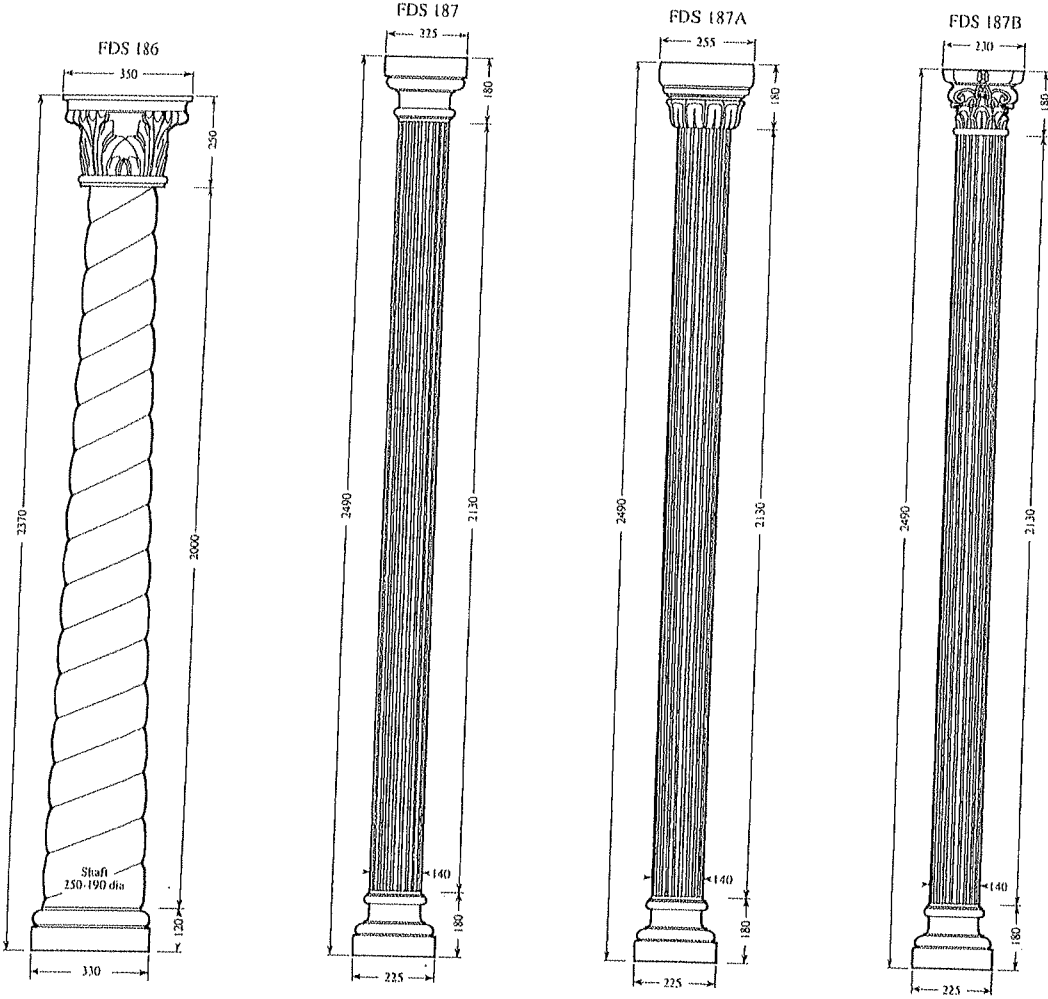
# FORMSTONE COLUMNS



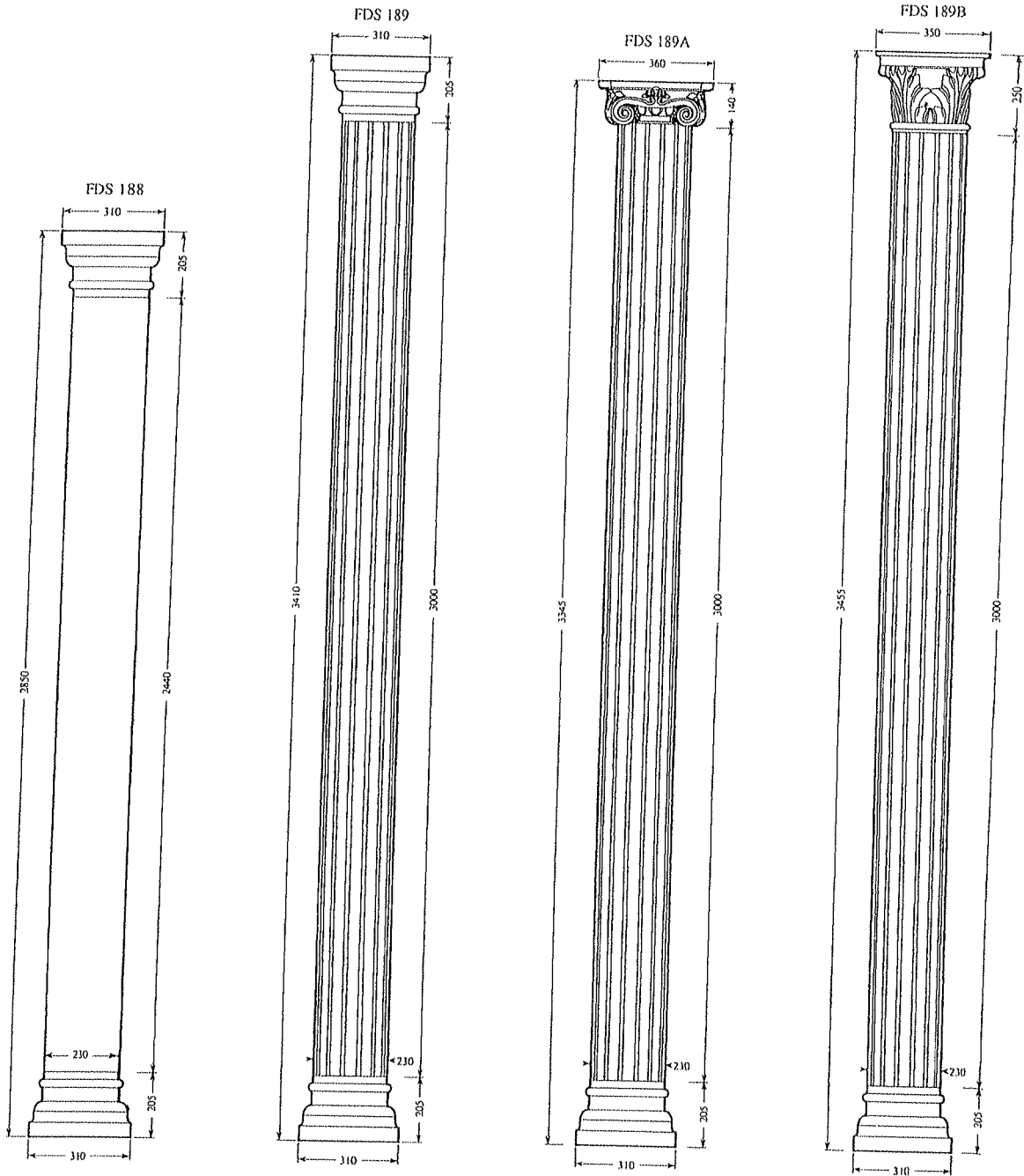
# FORMSTONE COLUMNS



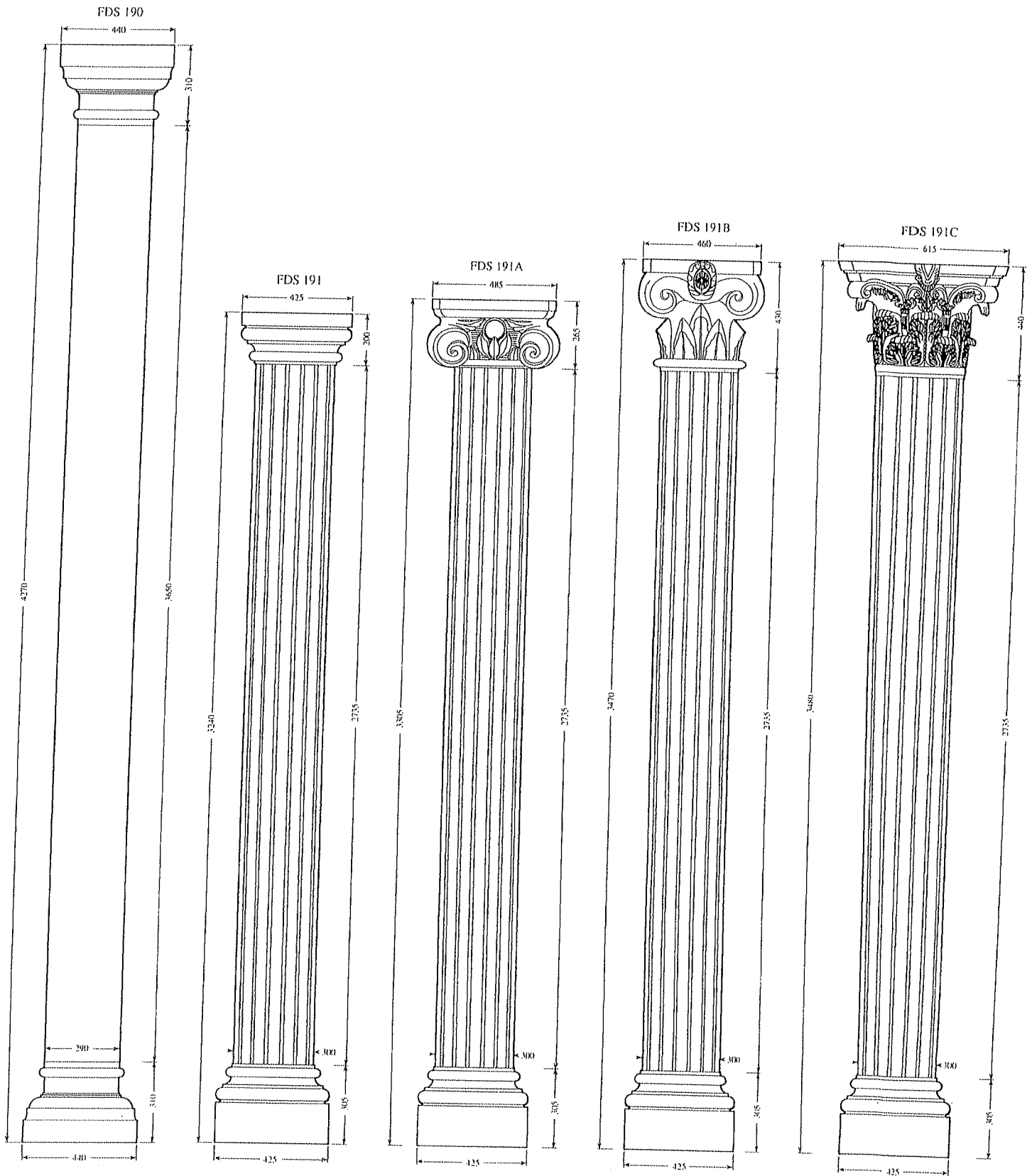
# FORMSTONE COLUMNS



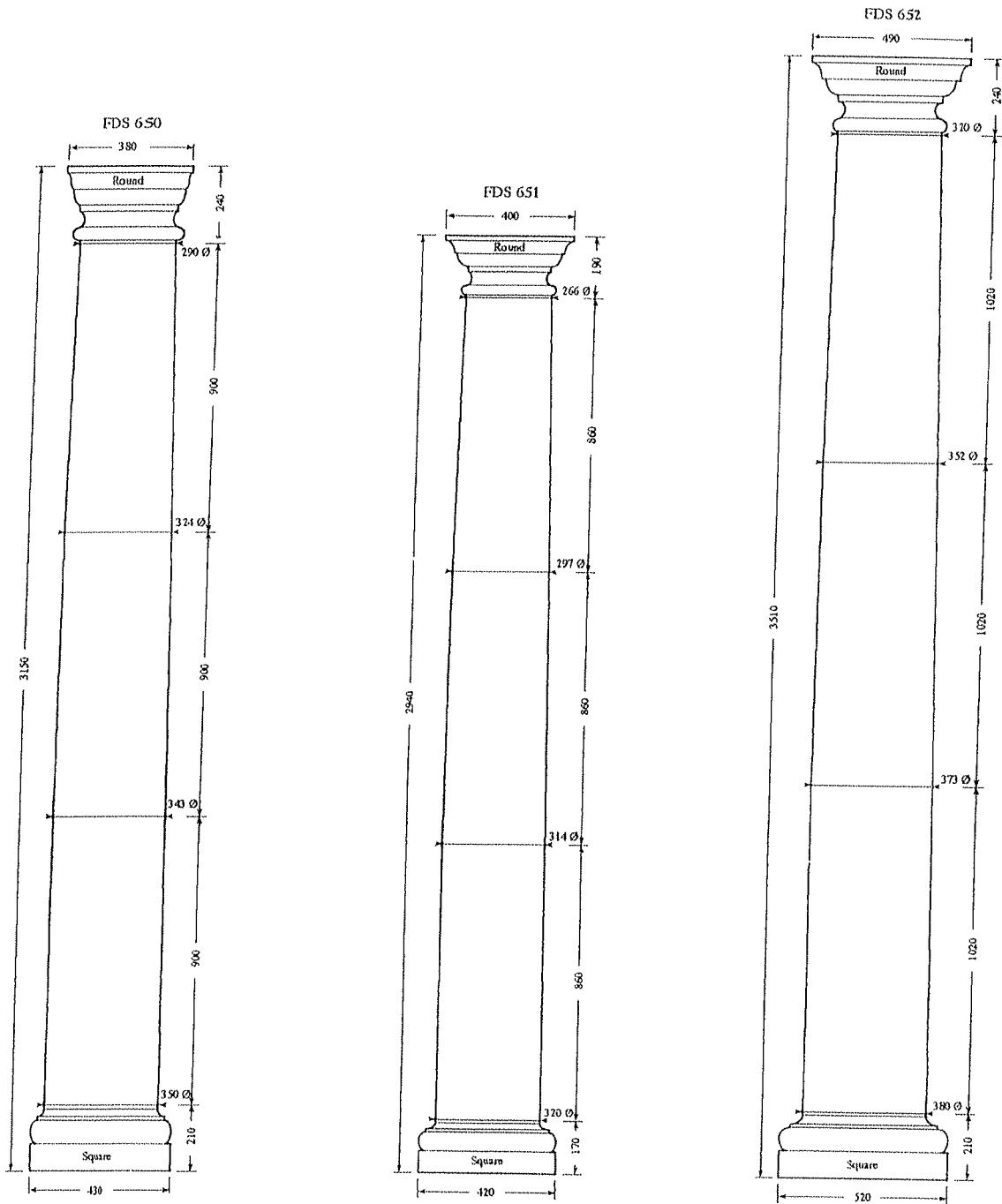
# FORMSTONE COLUMNS



# FORMSTONE COLUMNS



# FORMSTONE COLUMNS





# FORMSTONE COLUMNS

